



www.meba.bh
sales@meba.bh

Metals of Bahrain

Cement Industries



CEMENT MIXER PARTS

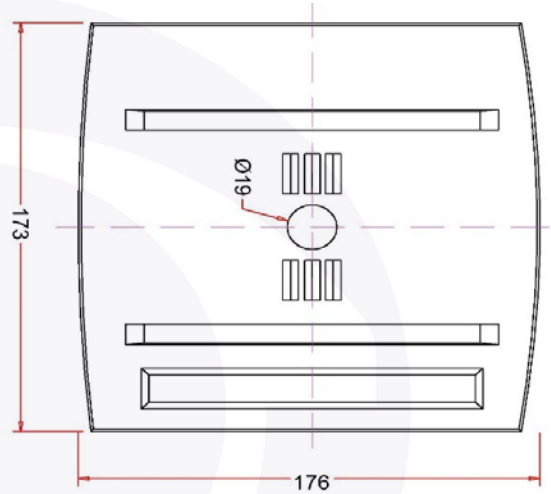
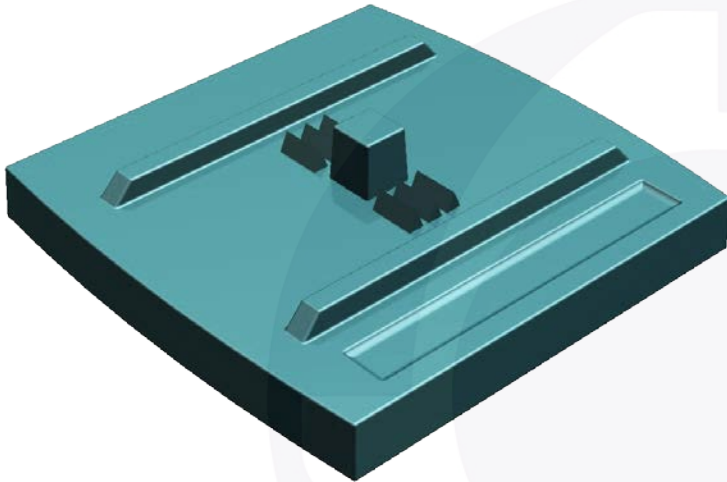
Serving our clients since '1992

Phone : +973-17-830707
WhatsApp : +973-36077844



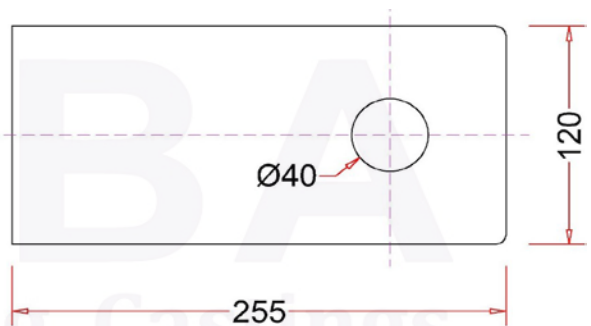
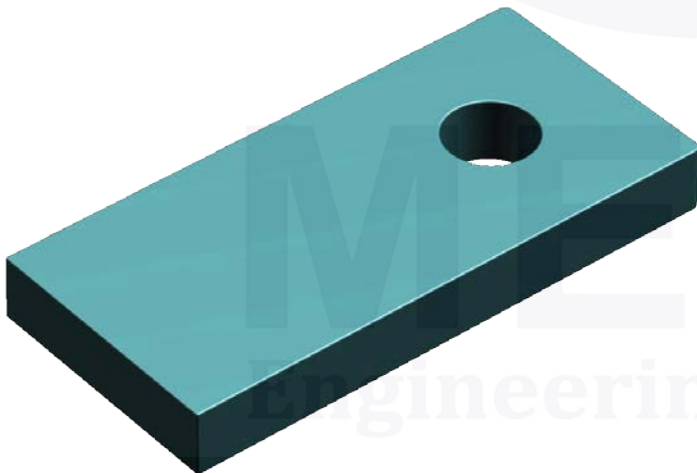
MIXER PLATE AC3 E4187 HPC NH

MEBA CODE : 72963



HAMMER (255 X 120 X 30)MM KSM

MEBA CODE : 72663

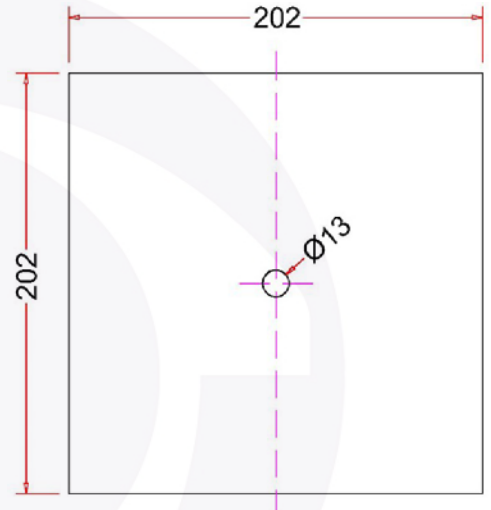
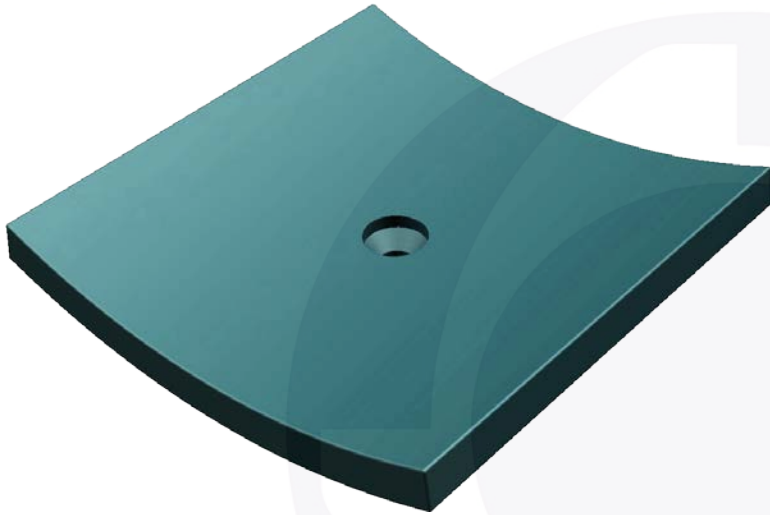


Grade	Abrasive Resistance Cast Iron / All Grades Available
Usage	Crusher, Cement, Asphalt and Ceramic Industries



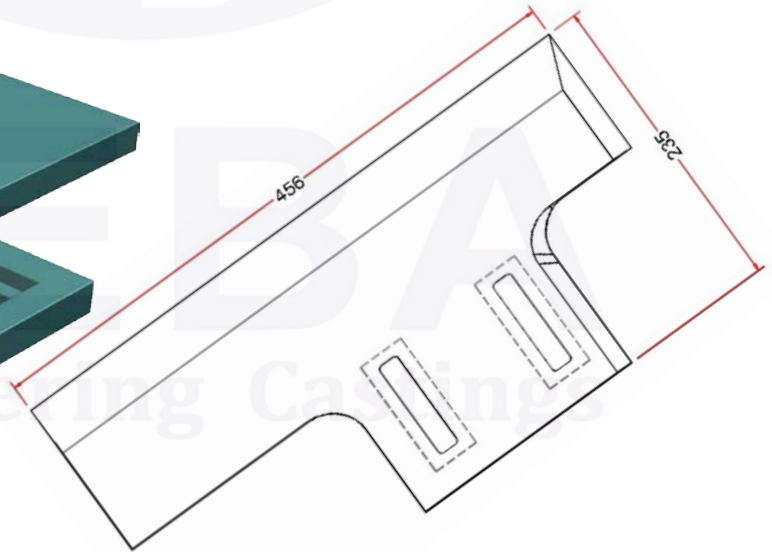
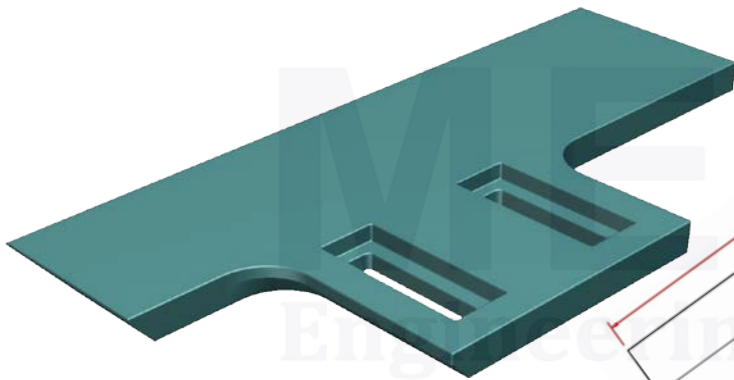
FLOOR TILE

MEBA CODE : 73105



PEMAT 01 L HPC NH (PSP-01L-AKH)

MEBA CODE : 72969



Grade	Abrasive Resistance Cast Iron / All Grades Available
Usage	Crusher, Cement, Asphalt and Ceramic Industries



www.meba.bh
sales@meba.bh

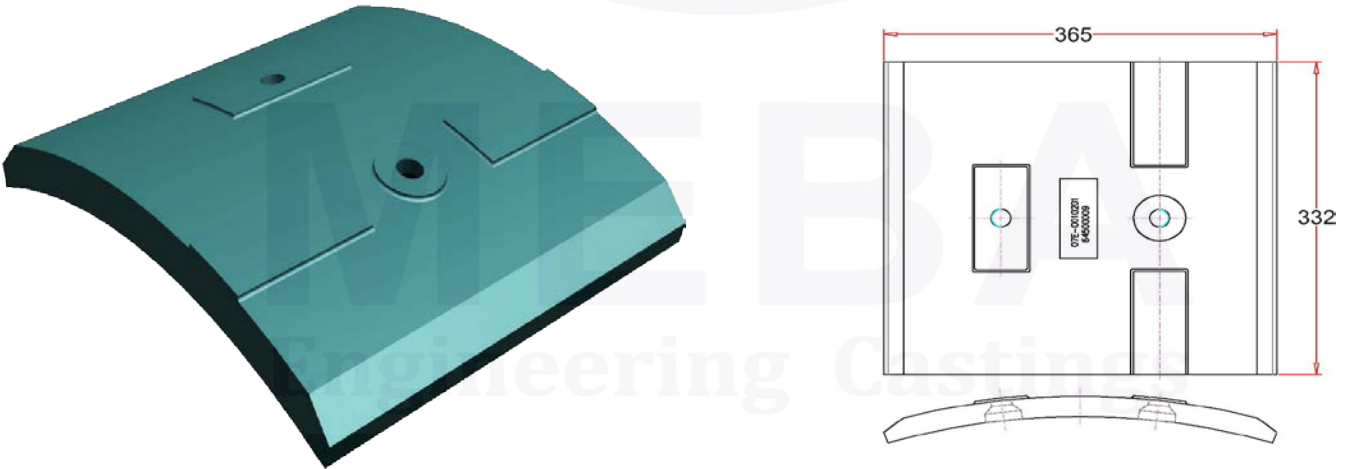
TILE WALL

MEBA CODE : 72493



TUBE PRT TILE (07E_001020)(64500009)

MEBA CODE : 74287



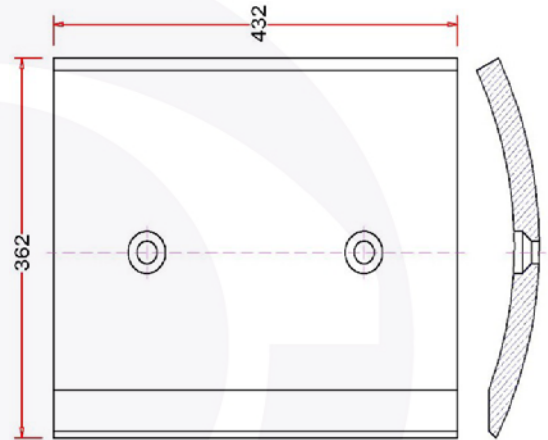
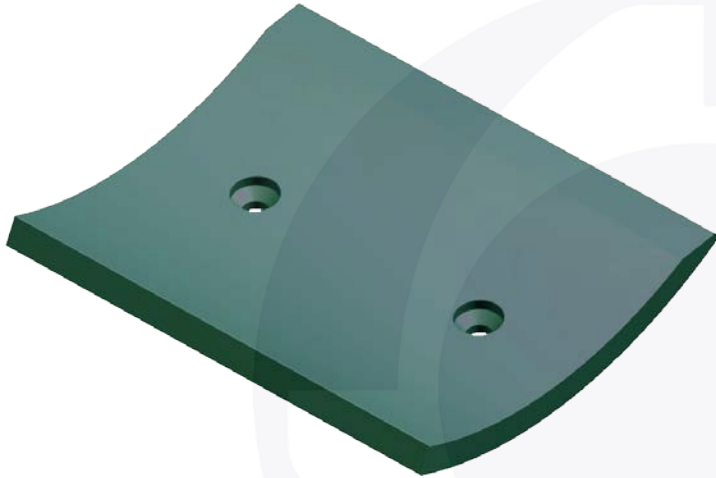
Grade	Abrasive Resistance Cast Iron / All Grades Available
Usage	Crusher, Cement, Asphalt and Ceramic Industries



www.meba.bh
sales@meba.bh

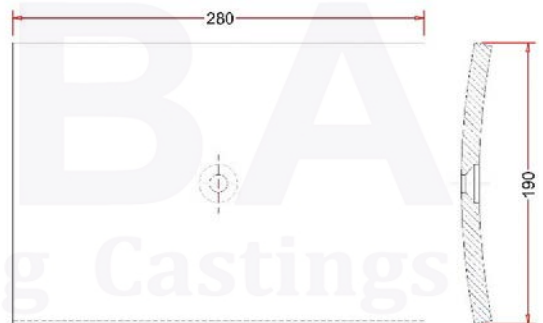
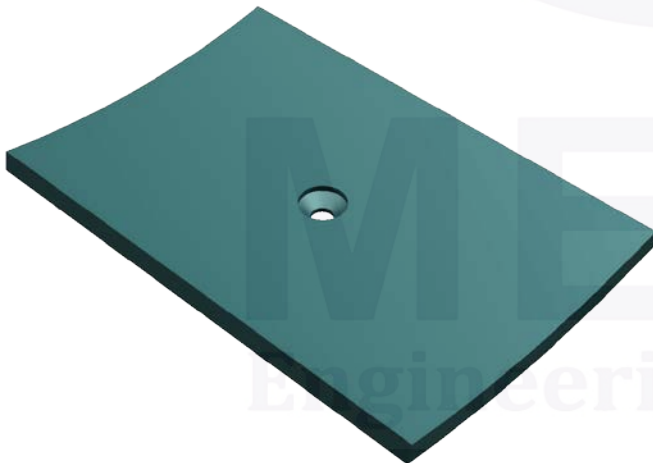
ALMIX BOTTOM LINER 01 B374-21 (0300946)

MEBA CODE : 73185



FLOOR TILE 02 IMY NH

MEBA CODE : 73282

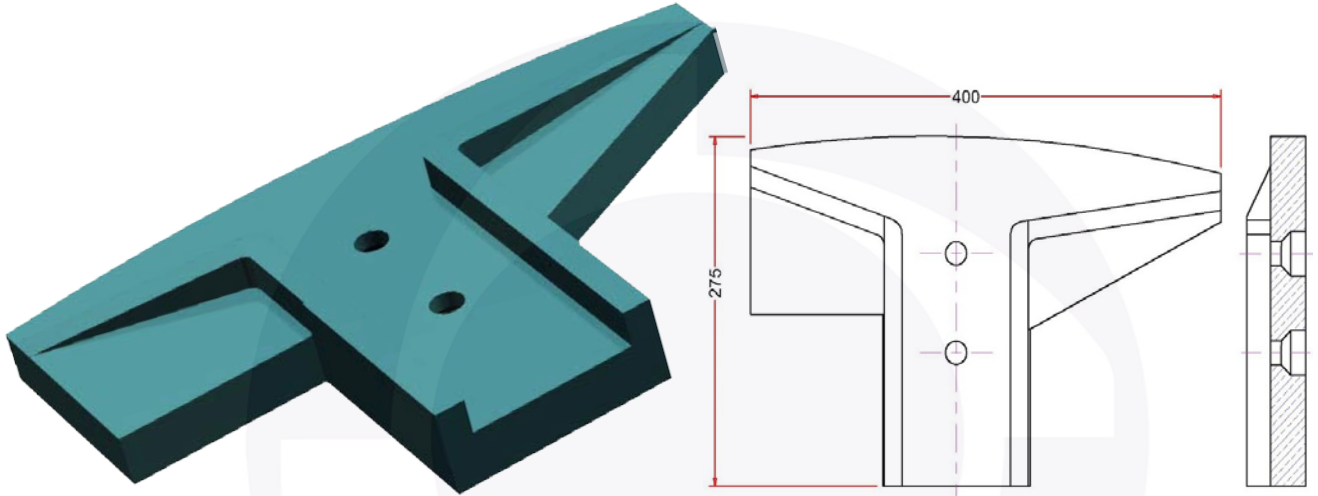


Grade	Abrasive Resistance Cast Iron / All Grades Available
Usage	Crusher, Cement, Asphalt and Ceramic Industries



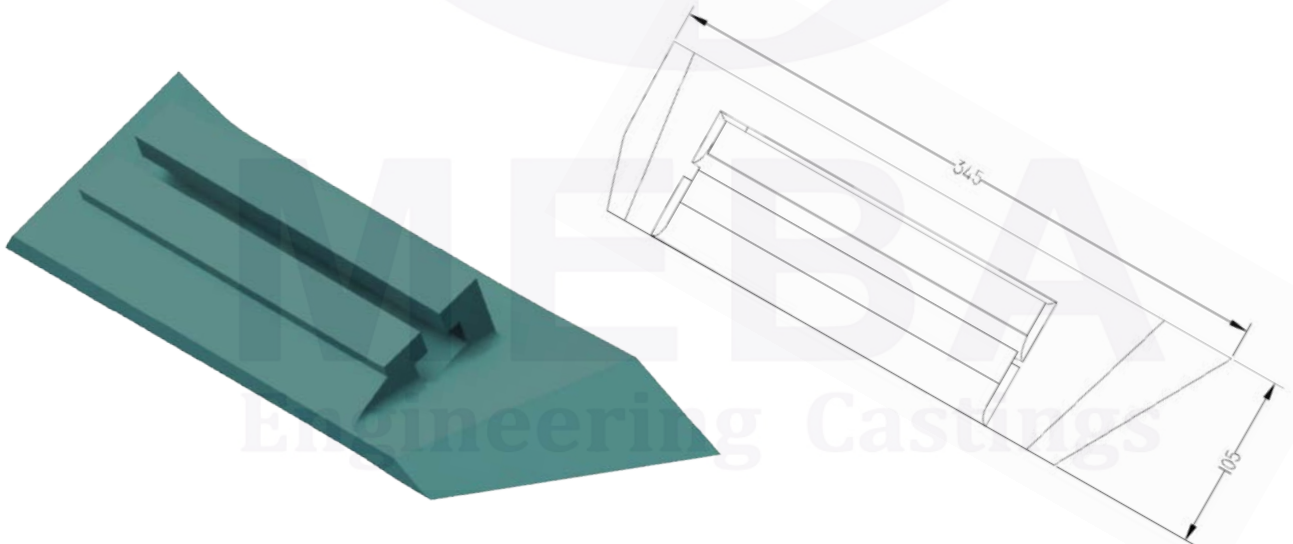
MIXING BLADE IMY NH

MEBA CODE : 73284



PEMAT 4.8 163-0600 AKH NH

MEBA CODE : 72971

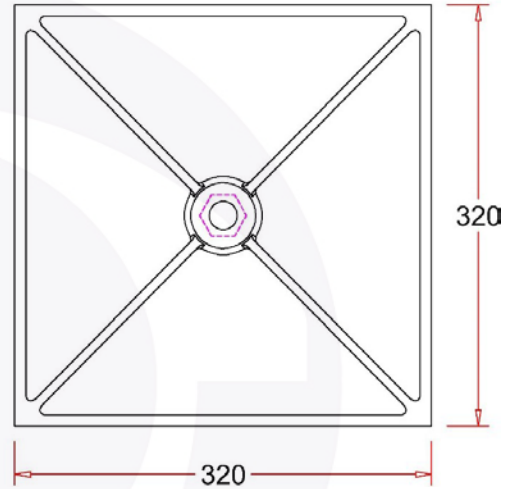
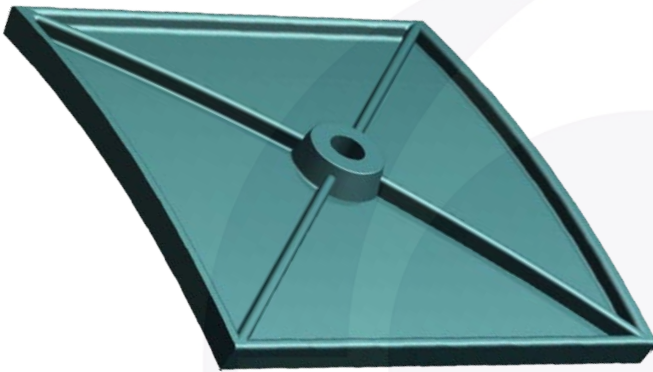


Grade	Abrasive Resistance Cast Iron / All Grades Available
Usage	Crusher, Cement, Asphalt and Ceramic Industries



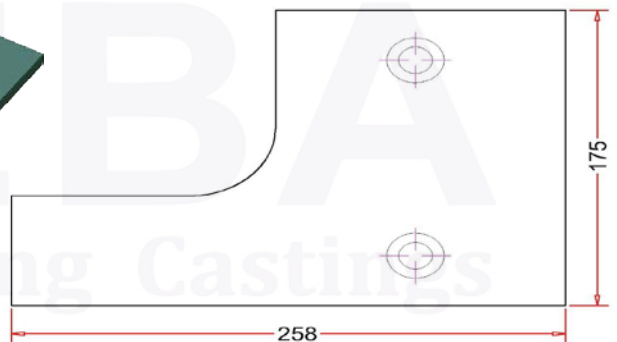
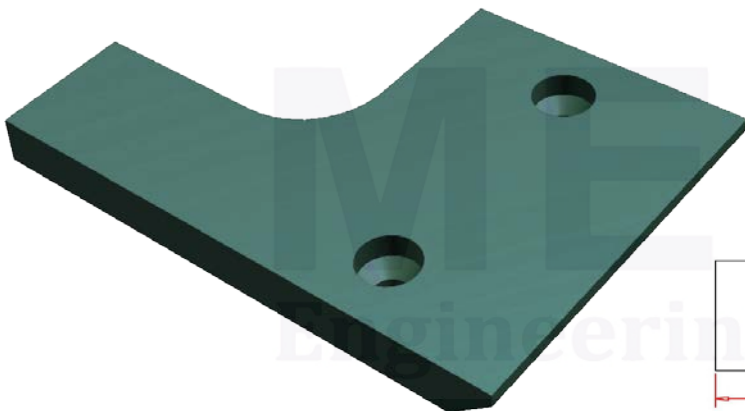
DRUM WEAR PLATE

MEBA CODE : 74383



MIXING PLATE 01 NH

MEBA CODE : 73305



Grade

Abrasive Resistance Cast Iron / All Grades Available

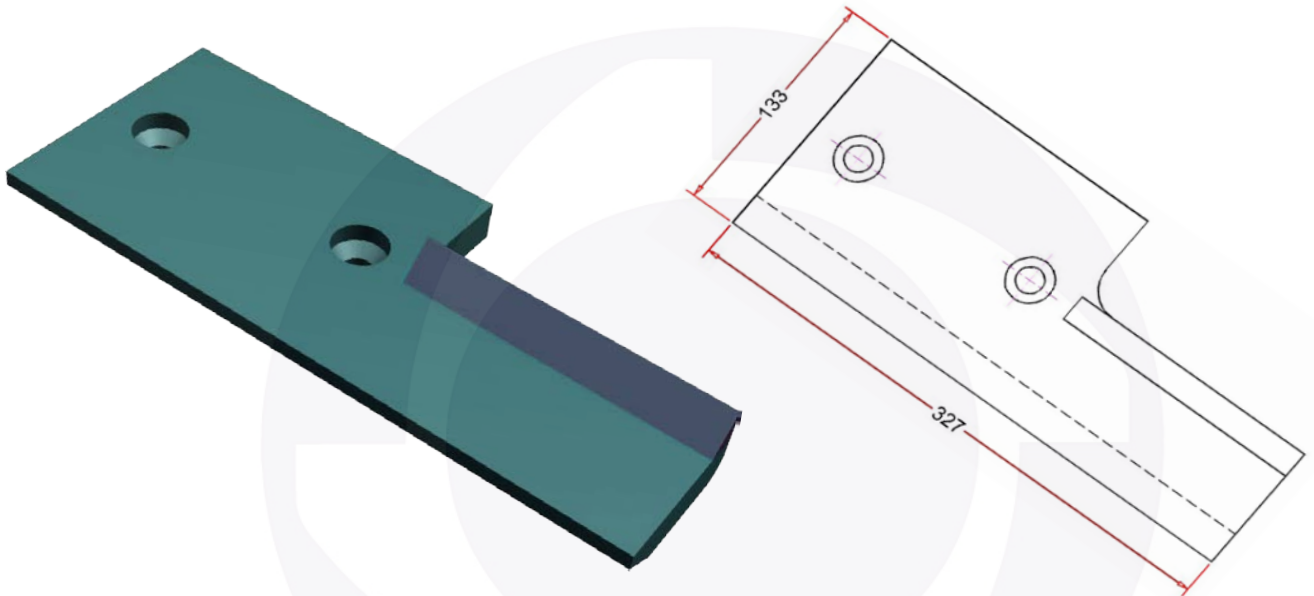
Usage

Crusher, Cement, Asphalt and Ceramic Industries



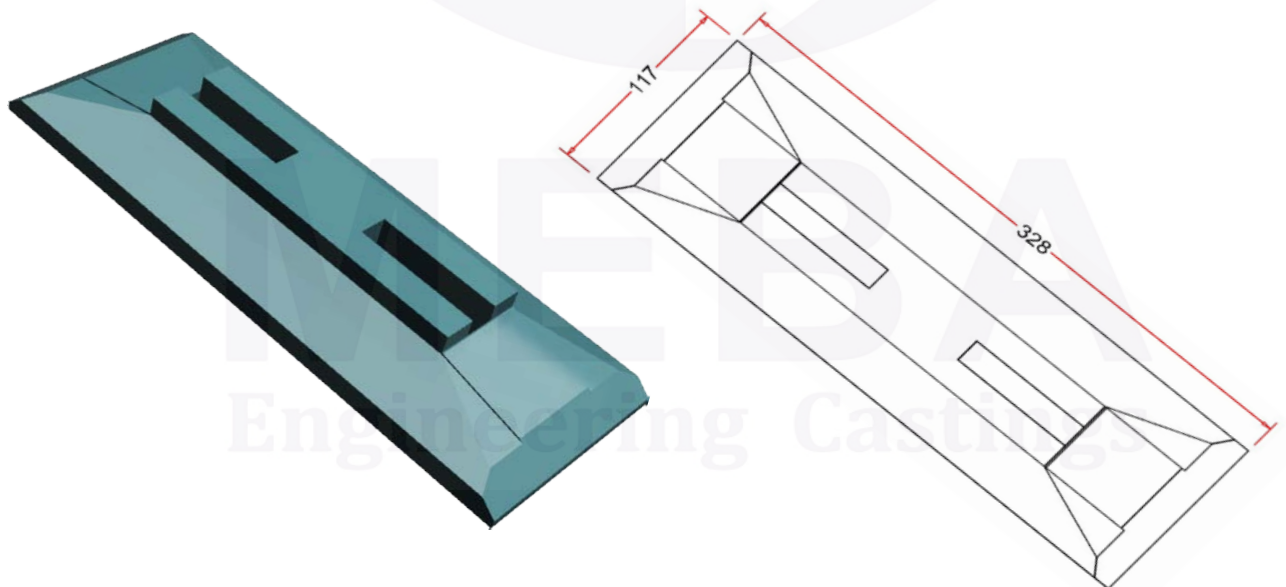
MIXER PLATE-02-OMG

MEBA CODE : 73306



SCRAPPER PLATE 10600708 NH

MEBA CODE : 73474

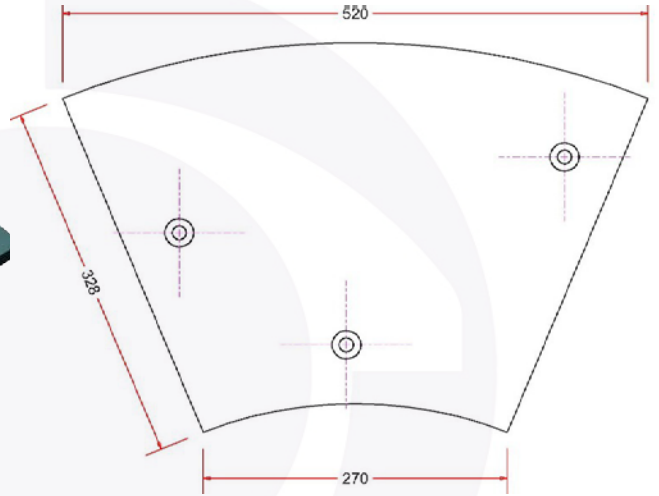
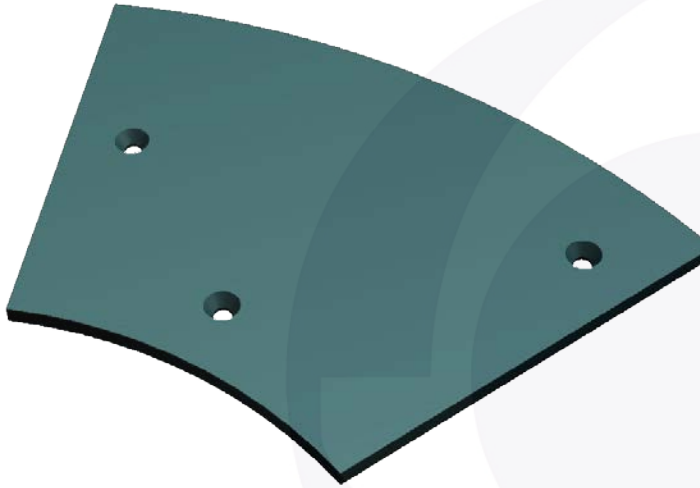


Grade	Abrasive Resistance Cast Iron / All Grades Available
Usage	Crusher, Cement, Asphalt and Ceramic Industries



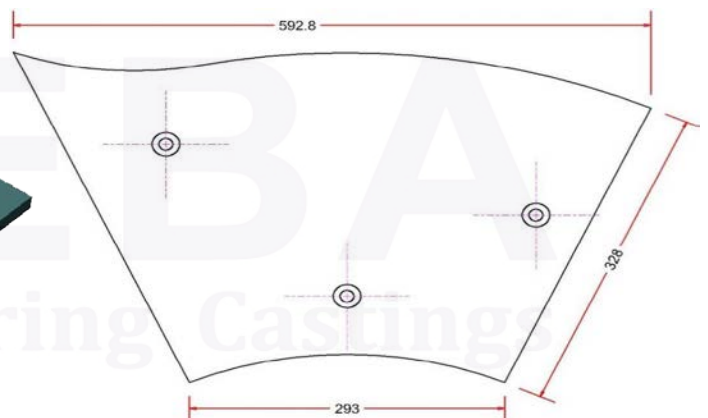
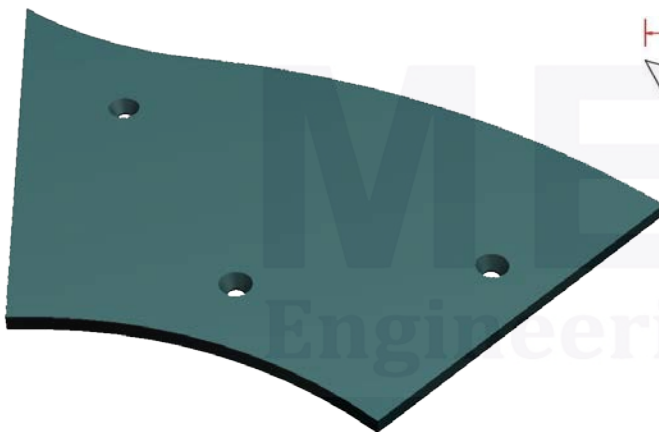
OUTER WEAR PLATE POS12 PART_G0036S

MEBA CODE : 73489



OUTER WEAR PLATE POS15 PART# G0038S NH

MEBA CODE : 73492



Grade

Abrasive Resistance Cast Iron / All Grades Available

Usage

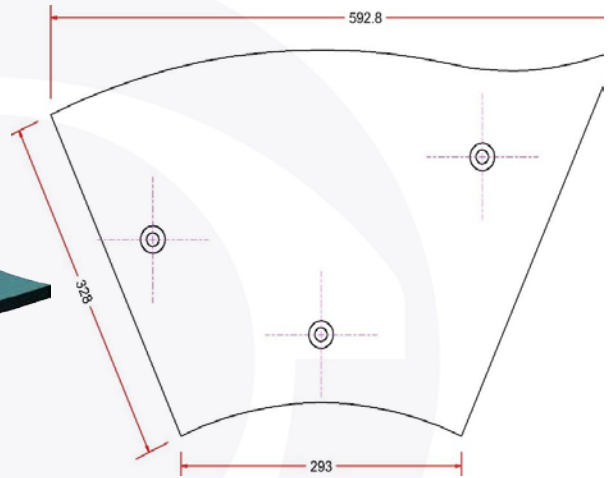
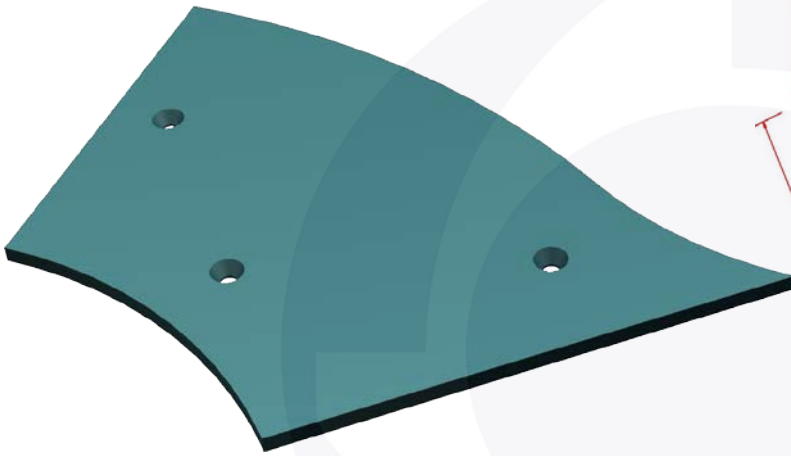
Crusher, Cement, Asphalt and Ceramic Industries



www.meba.bh
sales@meba.bh

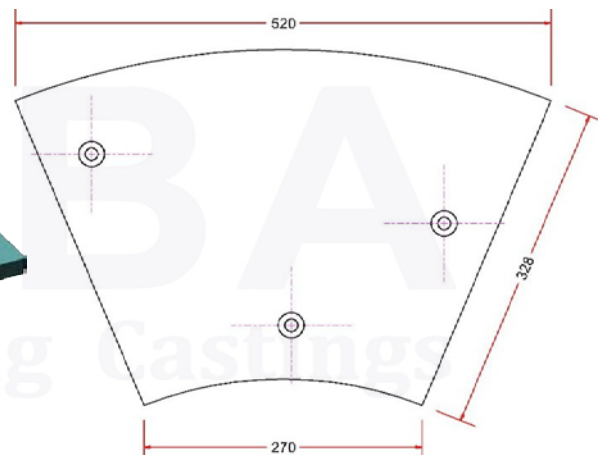
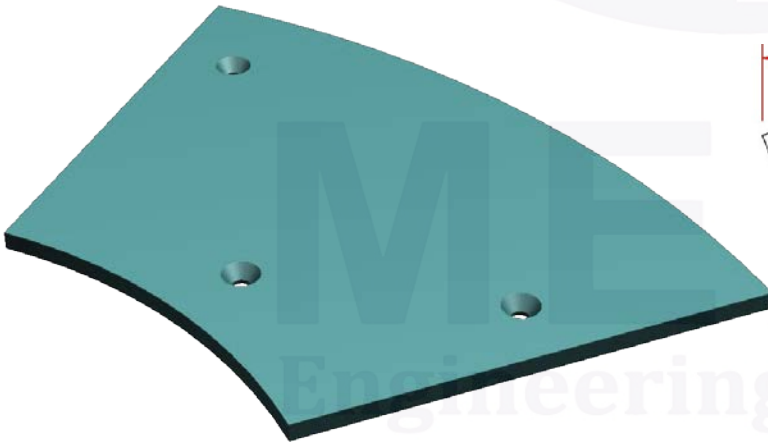
OUTER WEAR PLATE POS14 PART # G0037S NH

MEBA CODE : 73491



OUTER WEAR PLATE POS15 PART# G0038S NH

MEBA CODE : 73492



Grade

Abrasive Resistance Cast Iron / All Grades Available

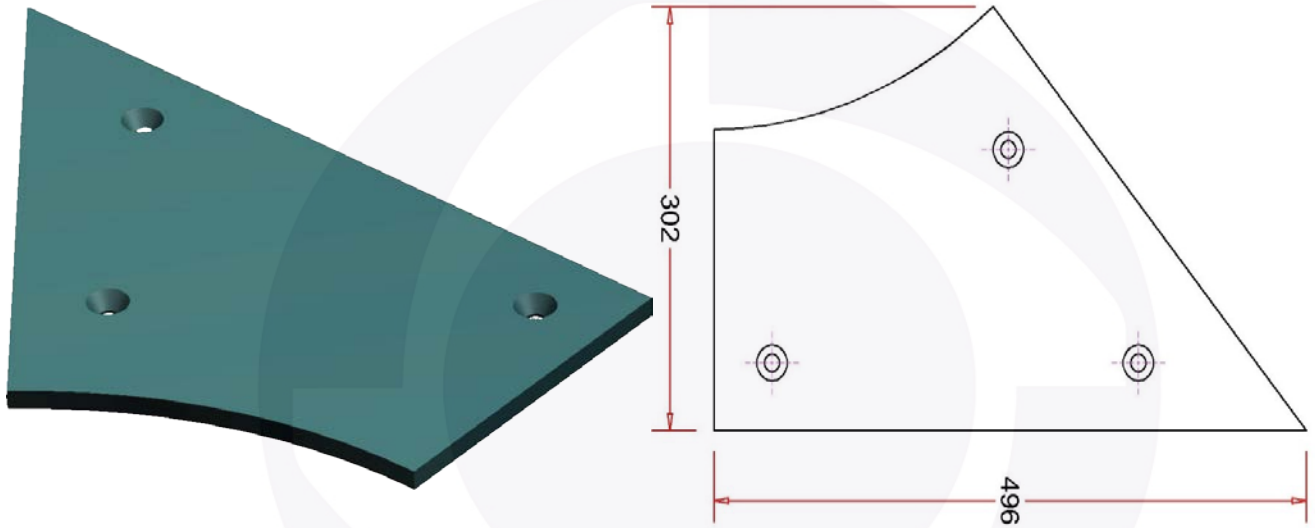
Usage

Crusher, Cement, Asphalt and Ceramic Industries



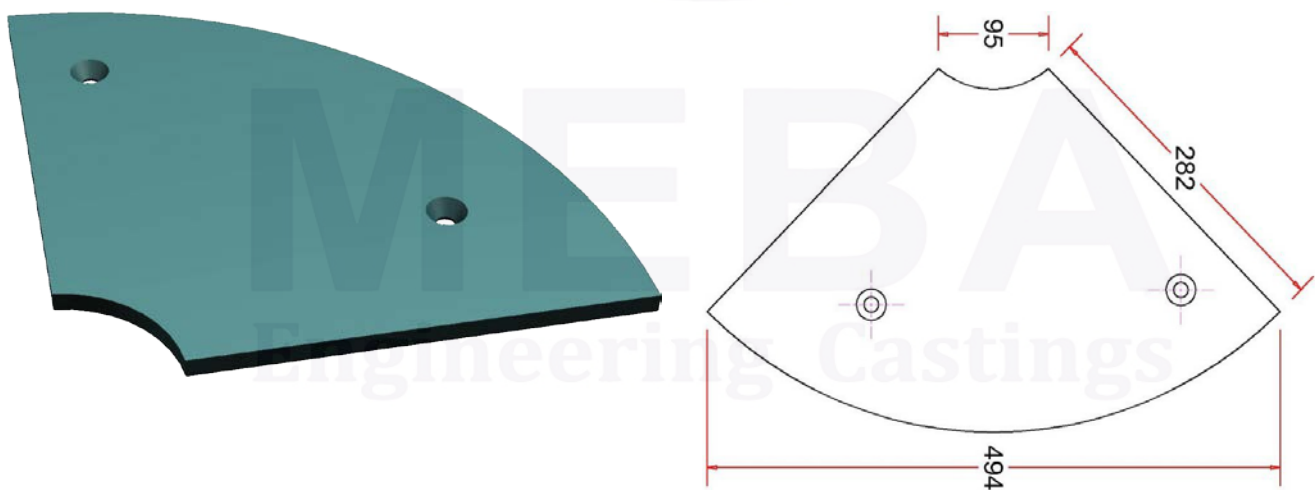
OUTER WEAR PLATE POS16 PART_G0039S

MEBA CODE : 73493



INNER WEAR PLATE POS18 PART_G0032S

MEBA CODE : 73495

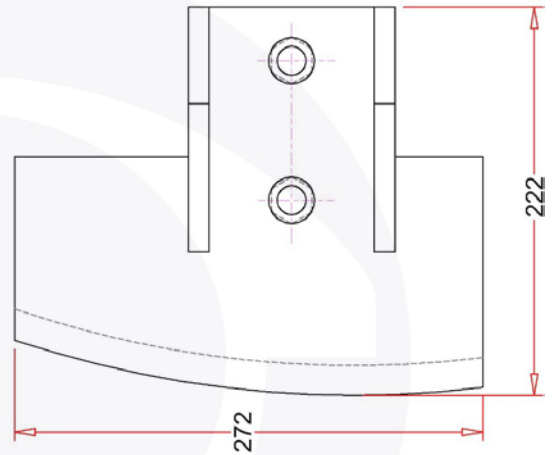
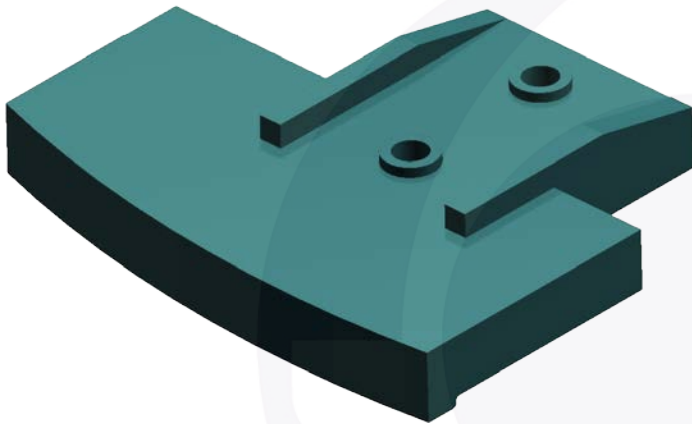


Grade	Abrasive Resistance Cast Iron / All Grades Available
Usage	Crusher, Cement, Asphalt and Ceramic Industries



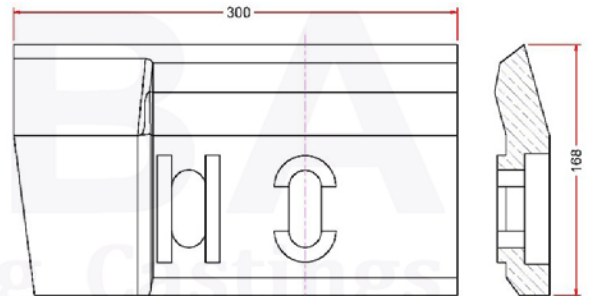
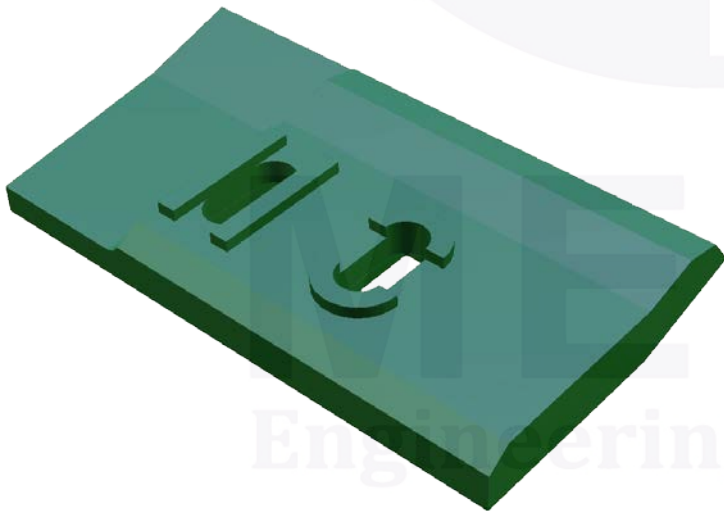
MIXING BLADE 02 COMER MBN NH

MEBA CODE : 73782



LATERAL PLATE LEFT (60205075)

MEBA CODE : 73471



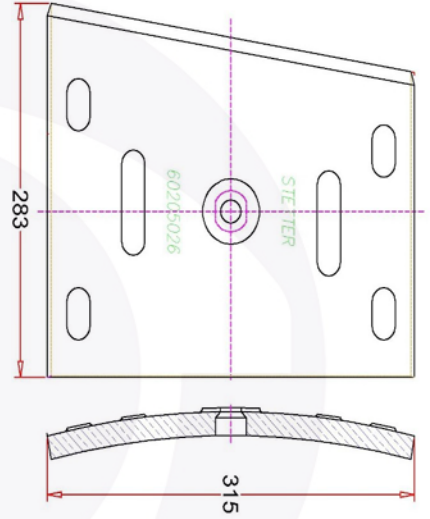
Grade	Abrasive Resistance Cast Iron / All Grades Available
Usage	Crusher, Cement, Asphalt and Ceramic Industries



www.meba.bh
sales@meba.bh

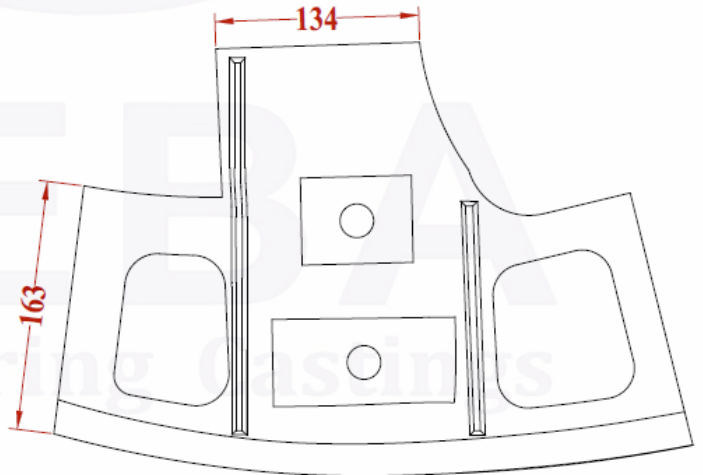
TROUGH TILE OUTSIDE STETTER 60205026

MEBA CODE : 73889



CENTRAL MIXING PADDLE

MEBA CODE : 74541

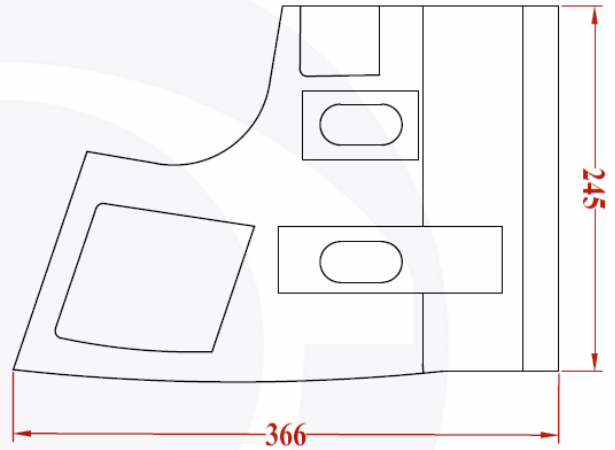
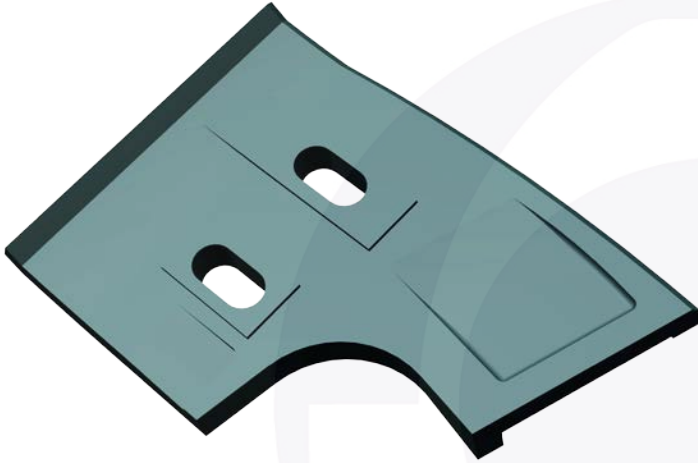


Grade	Abrasive Resistance Cast Iron / All Grades Available
Usage	Crusher, Cement, Asphalt and Ceramic Industries



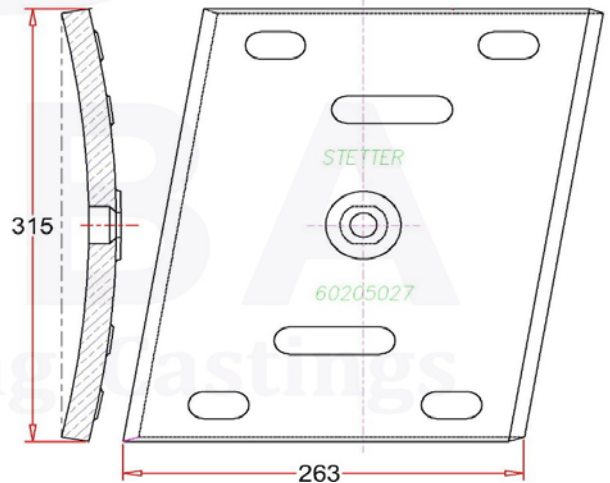
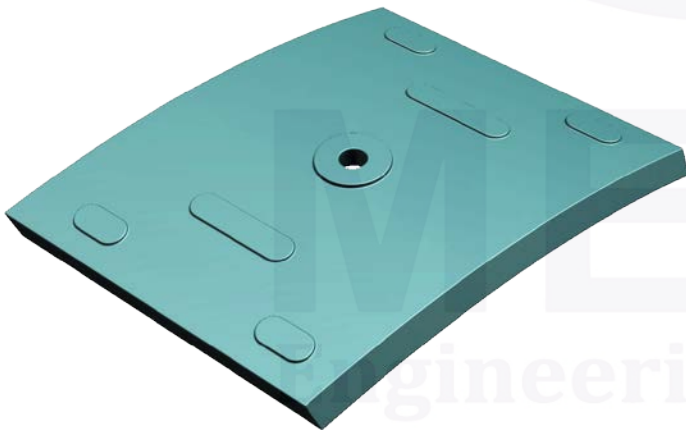
SIDE PADDLE LEFT 970162905

MEBA CODE : 74540



TROUGH TILE INSIDE STETTER 60205027

MEBA CODE : 73890



Grade

Abrasive Resistance Cast Iron / All Grades Available

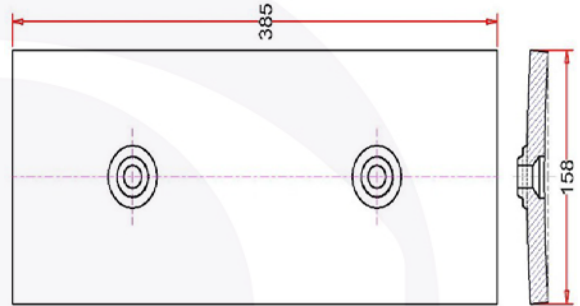
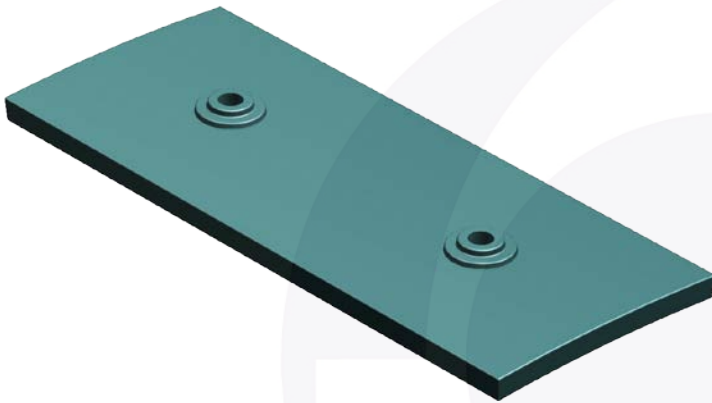
Usage

Crusher, Cement, Asphalt and Ceramic Industries



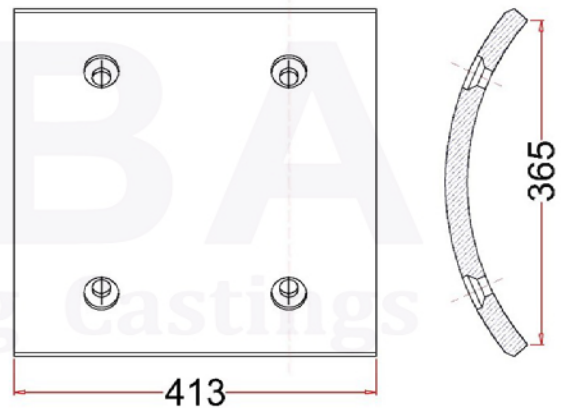
WALL TILE FG-01 STL_NH

MEBA CODE : 74039



ALMIX DOOR LINER B374-19 (0300944)

MEBA CODE : 73188

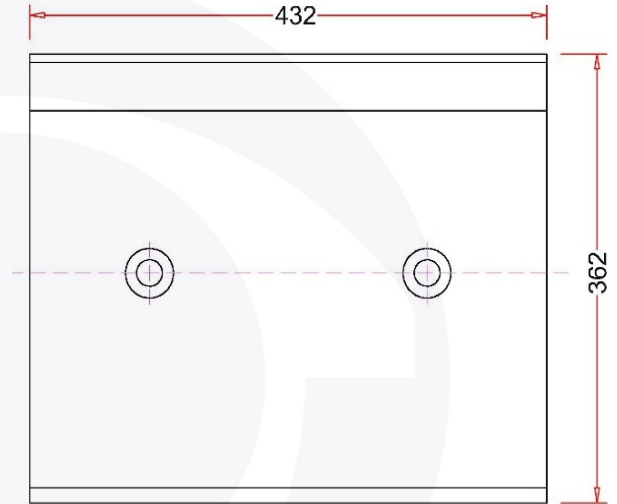


Grade	Abrasive Resistance Cast Iron / All Grades Available
Usage	Crusher, Cement, Asphalt and Ceramic Industries



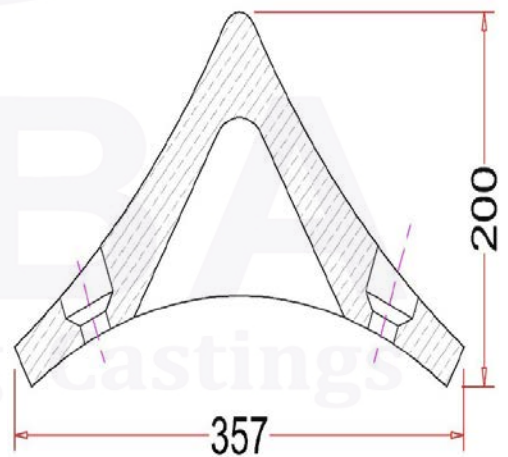
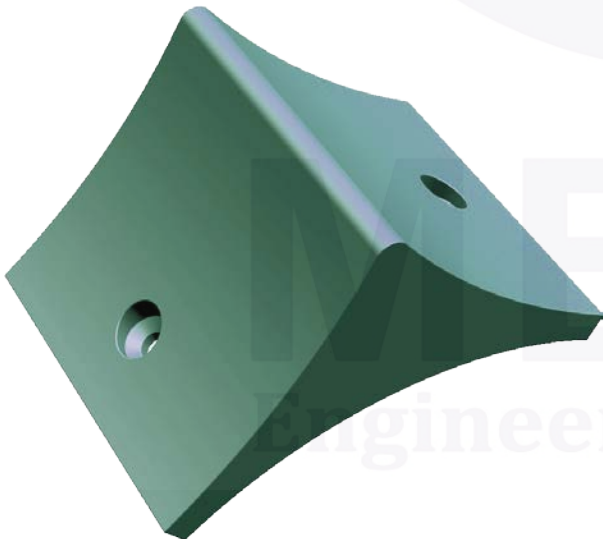
ALMIX BOTTOM LINER 02 (0300947)

MEBA CODE : 73184



ALMIX TRIANGLE B374-20 (0300945)-HPC

MEBA CODE : 73189

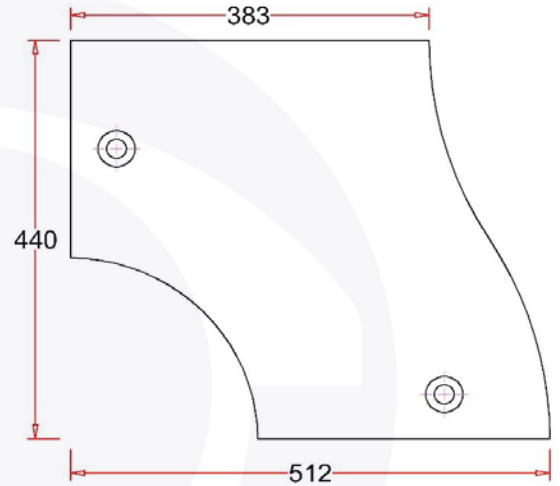


Grade	Abrasive Resistance Cast Iron / All Grades Available
Usage	Crusher, Cement, Asphalt and Ceramic Industries



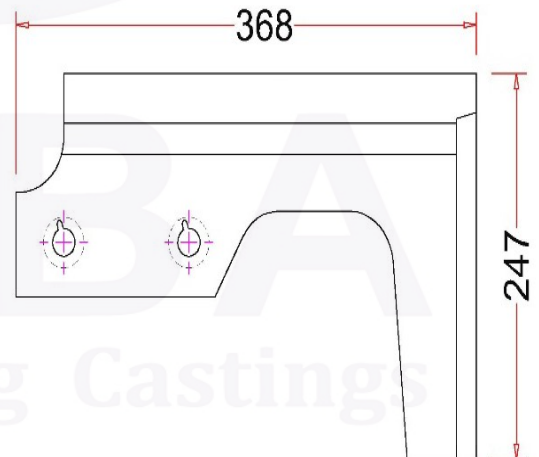
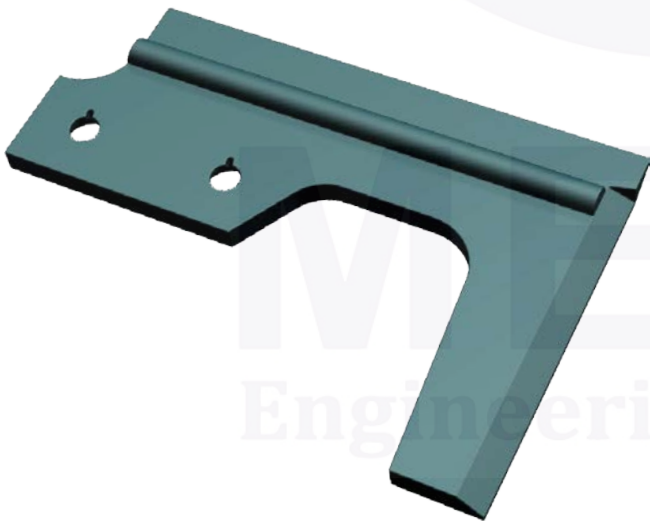
ALMIX MIXER END LINER-03 (B374-18) 0300943

MEBA CODE : 73187



SCRAPPER 17822865

MEBA CODE : 73257

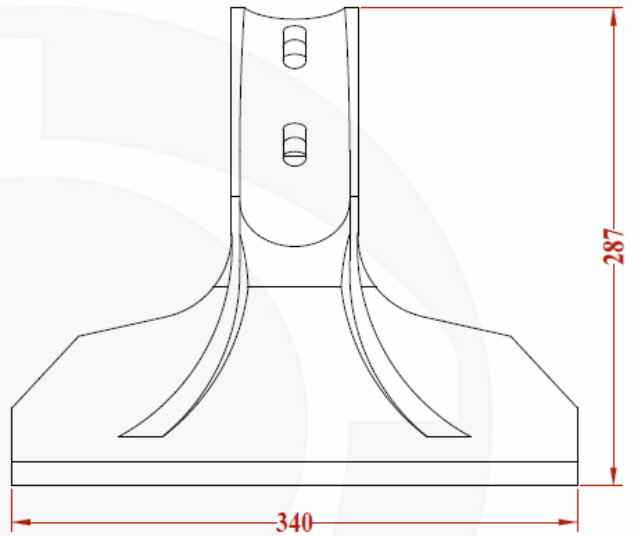


Grade	Abrasive Resistance Cast Iron / All Grades Available
Usage	Crusher, Cement, Asphalt and Ceramic Industries



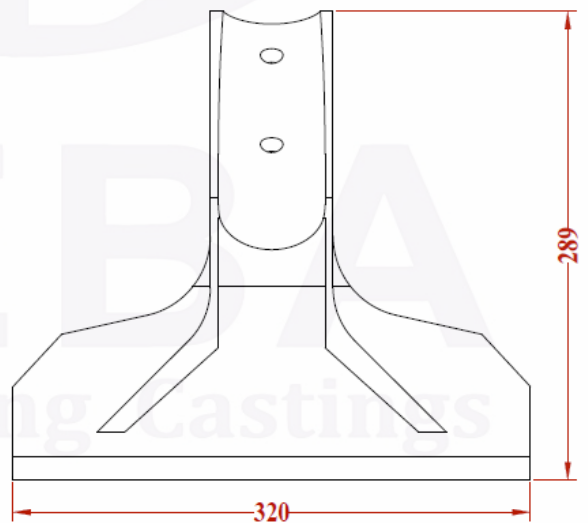
MIXER PLATE - FG03N ADJUSTABLE SLOT

MEBA CODE : 73197



MIXER PLATE FG03 (ALLEN KEY BOLT)

MEBA CODE : 73196



Grade

Abrasive Resistance Cast Iron / All Grades Available

Usage

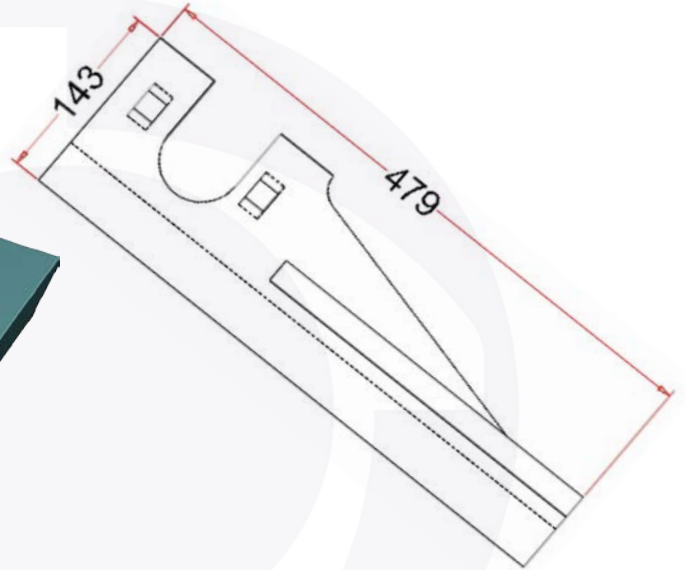
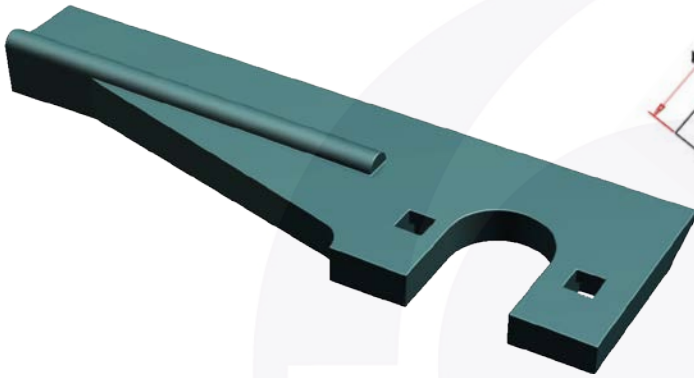
Crusher, Cement, Asphalt and Ceramic Industries



www.meba.bh
sales@meba.bh

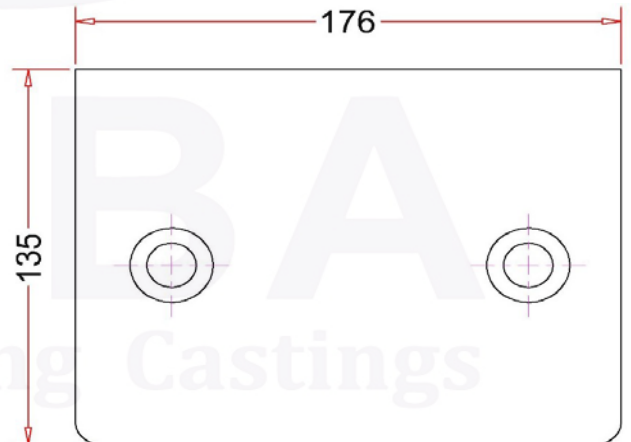
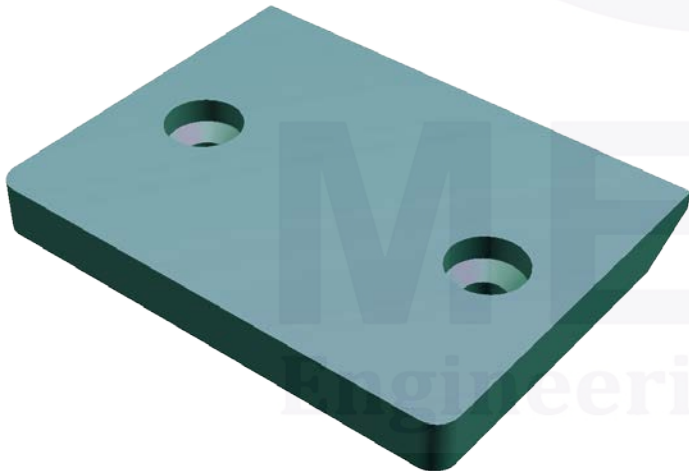
SCRAPPER 17822865

MEBA CODE : 73258



MIXER PLATE-05-OMG

MEBA CODE : 73309

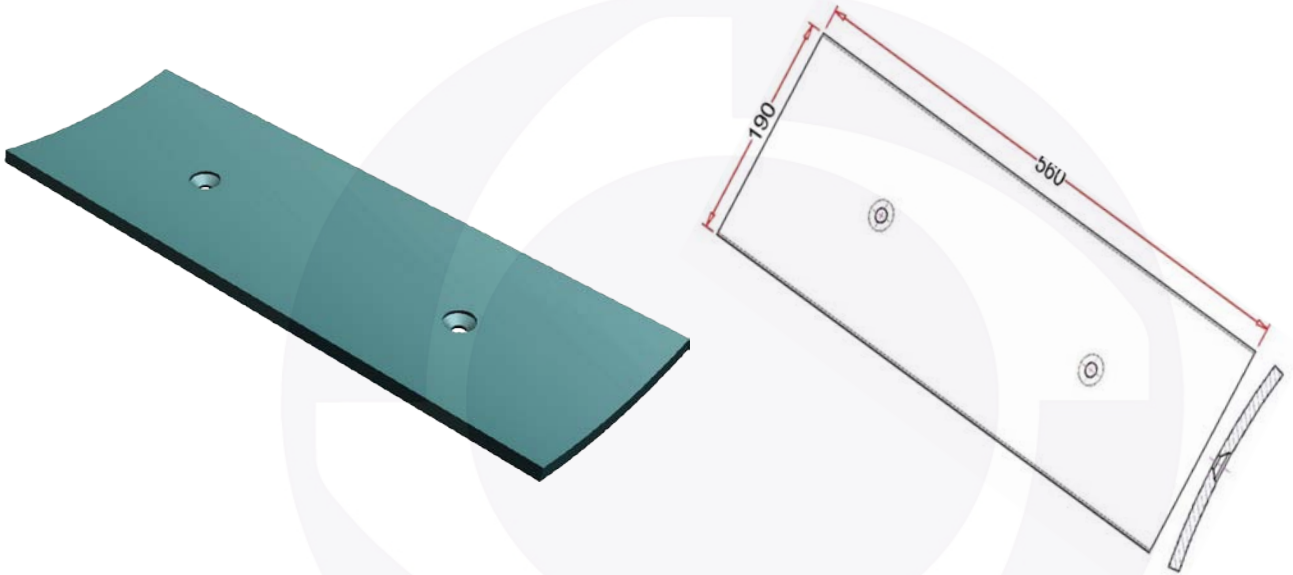


Grade	Abrasive Resistance Cast Iron / All Grades Available
Usage	Crusher, Cement, Asphalt and Ceramic Industries



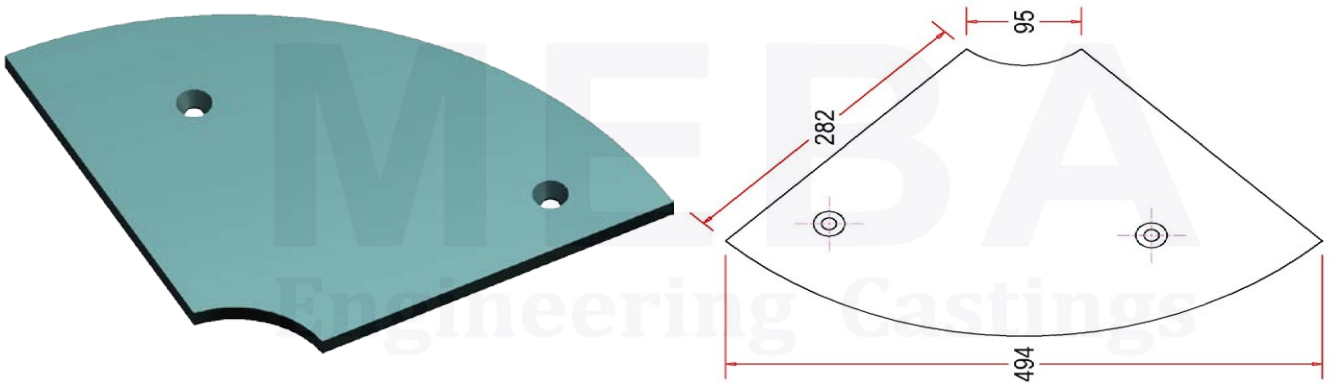
FLOOR TILE 01-IMY(BIG)

MEBA CODE : 73281



INNER WEAR PLATE POS19 PART_G0033S

MEBA CODE : 73496



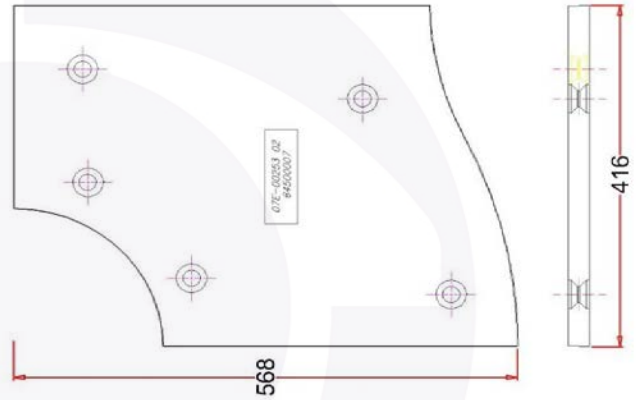
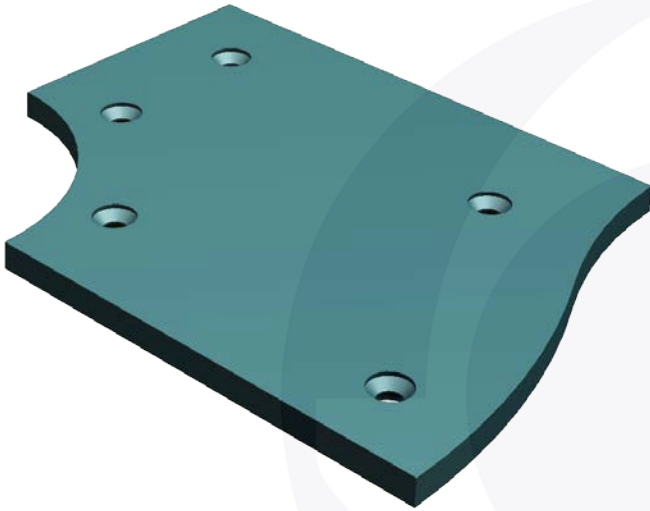
Grade	Abrasive Resistance Cast Iron / All Grades Available
Usage	Crusher, Cement, Asphalt and Ceramic Industries



www.meba.bh
sales@meba.bh

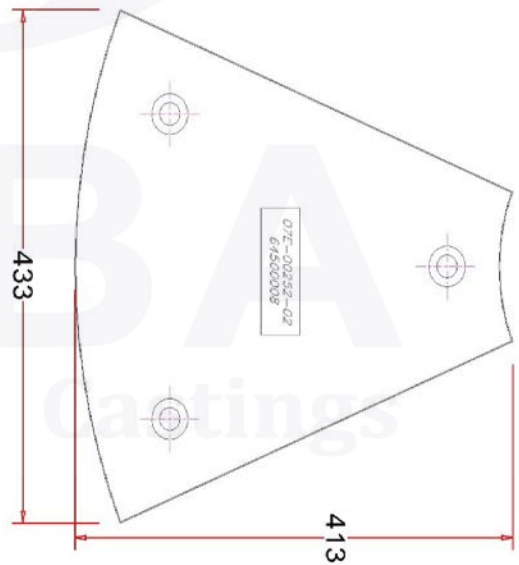
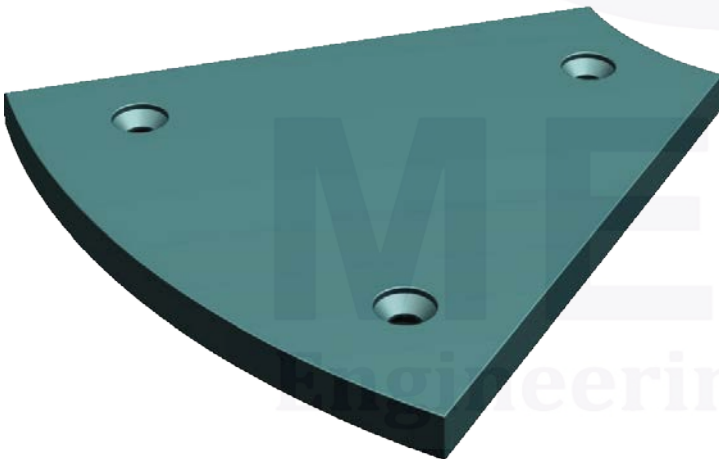
FRONT SIDE TILE 45D (07E-00253-02) (64500007)

MEBA CODE : 74288



FRONT SIDE TILE (07E00252-02) (64500008)

MEBA CODE : 74289

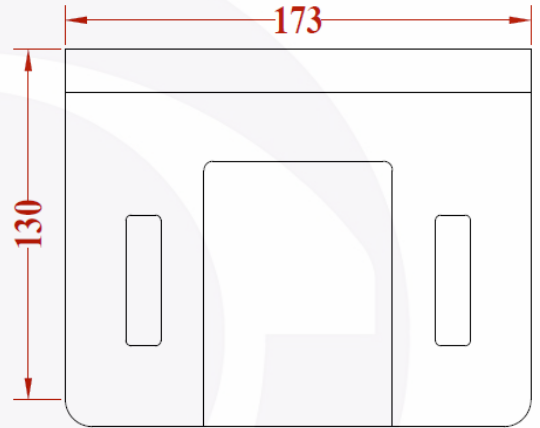
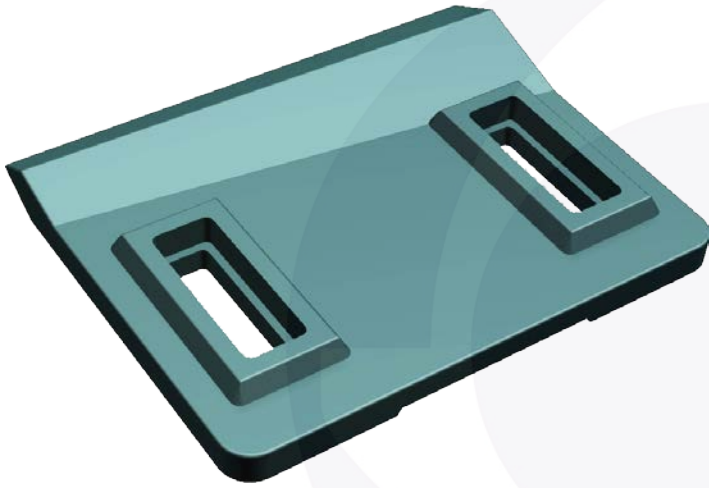


Grade	Abrasive Resistance Cast Iron / All Grades Available
Usage	Crusher, Cement, Asphalt and Ceramic Industries



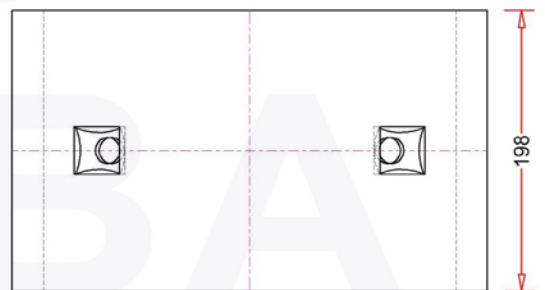
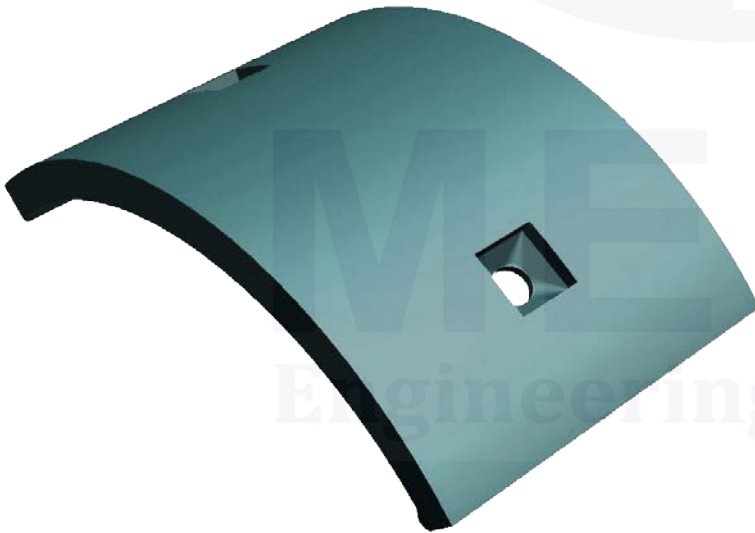
FIXING PLATE_MFC-06

MEBA CODE : 74282



LINER PLATE-P319521

MEBA CODE : 74399



Grade

Abrasive Resistance Cast Iron / All Grades Available

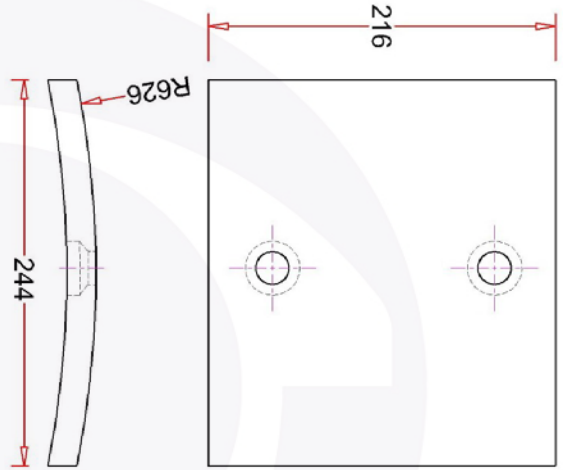
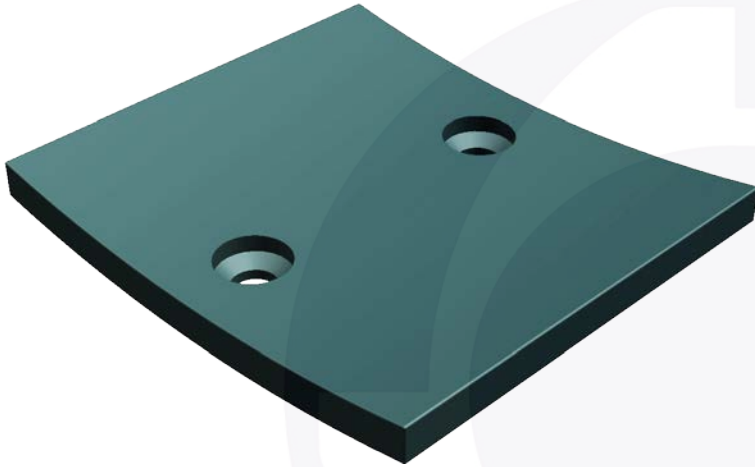
Usage

Crusher, Cement, Asphalt and Ceramic Industries



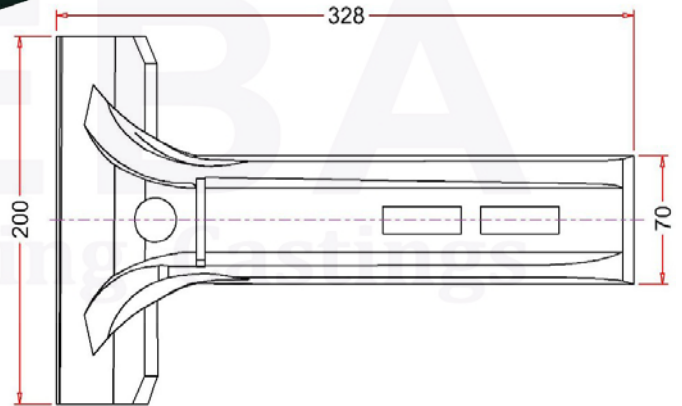
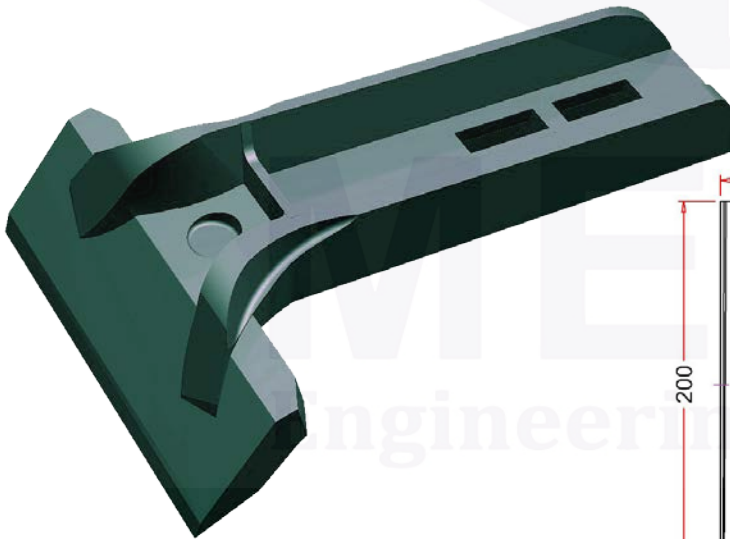
MIXER TILE

MEBA CODE : 74434



MIXER PLATE-03-OMG

MEBA CODE : 73307



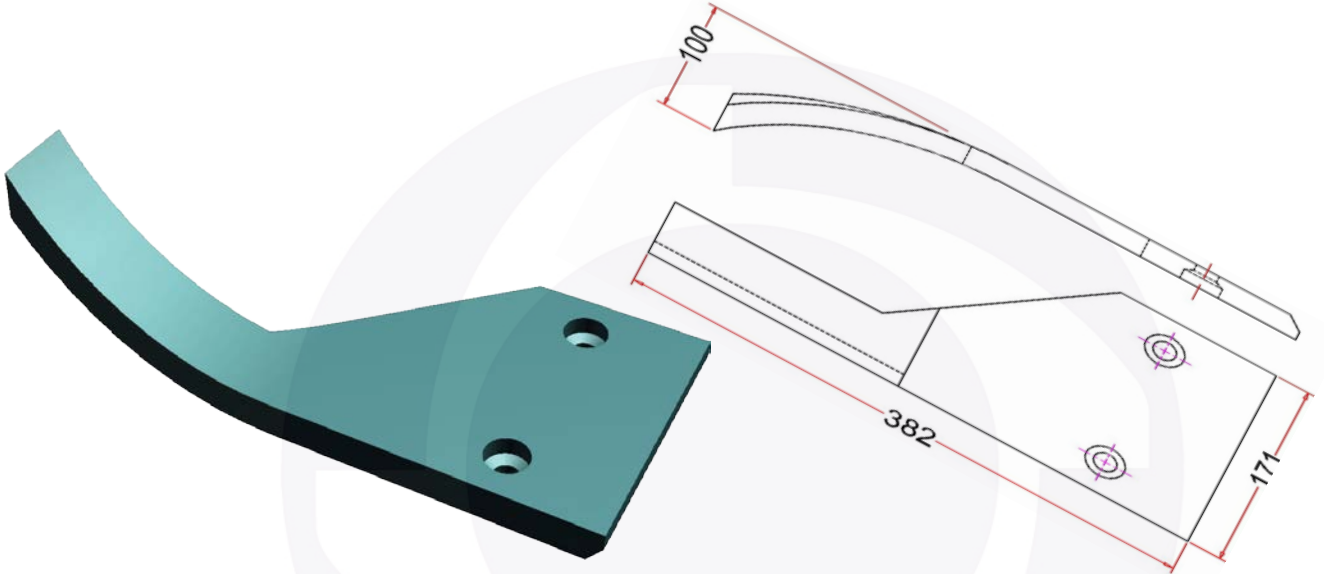
Grade	Abrasive Resistance Cast Iron / All Grades Available
Usage	Crusher, Cement, Asphalt and Ceramic Industries



www.meba.bh
sales@meba.bh

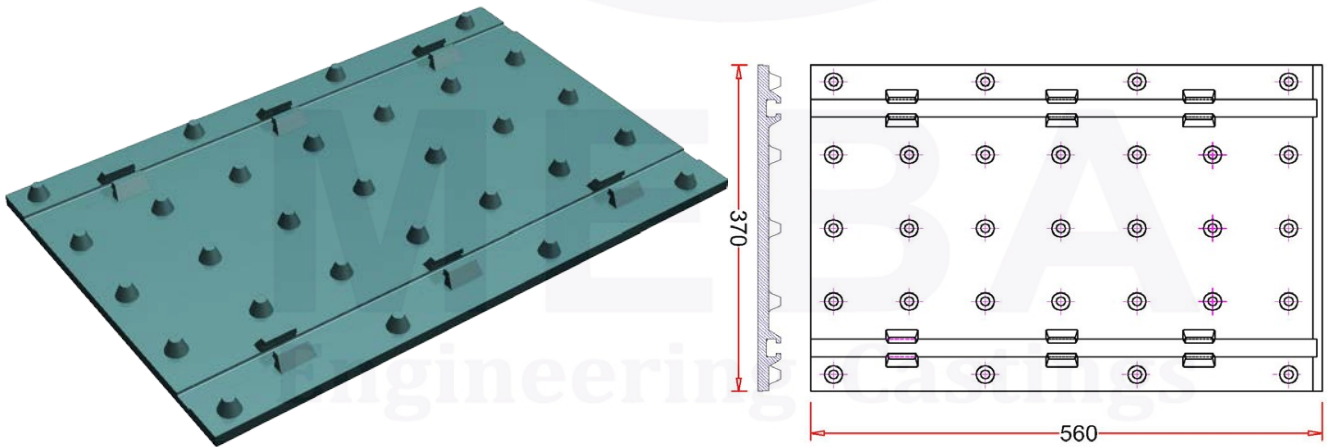
MIXER PLATE-04-OMG

MEBA CODE : 73308



LINER PLATE-ALF-NH

MEBA CODE : 74504



Grade

Abrasive Resistance Cast Iron / All Grades Available

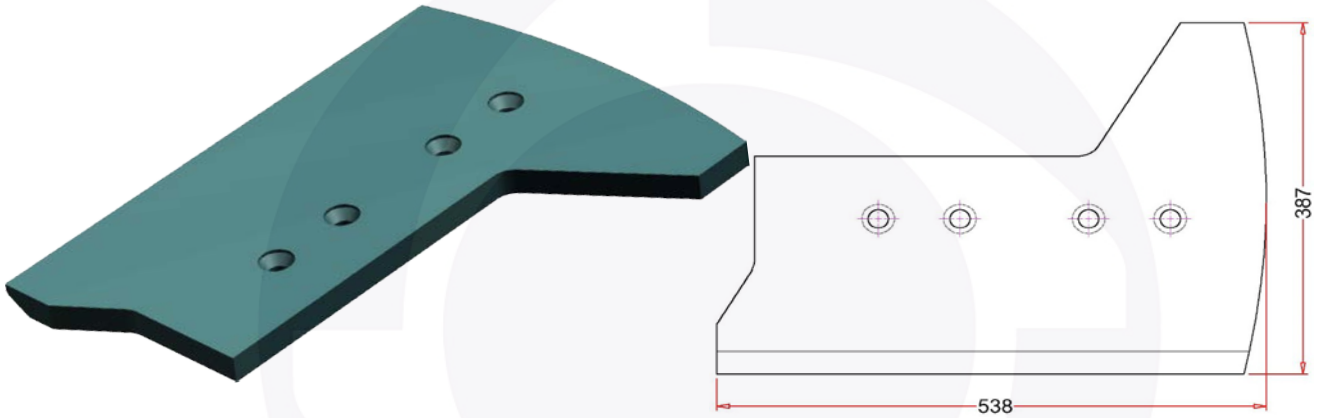
Usage

Crusher, Cement, Asphalt and Ceramic Industries



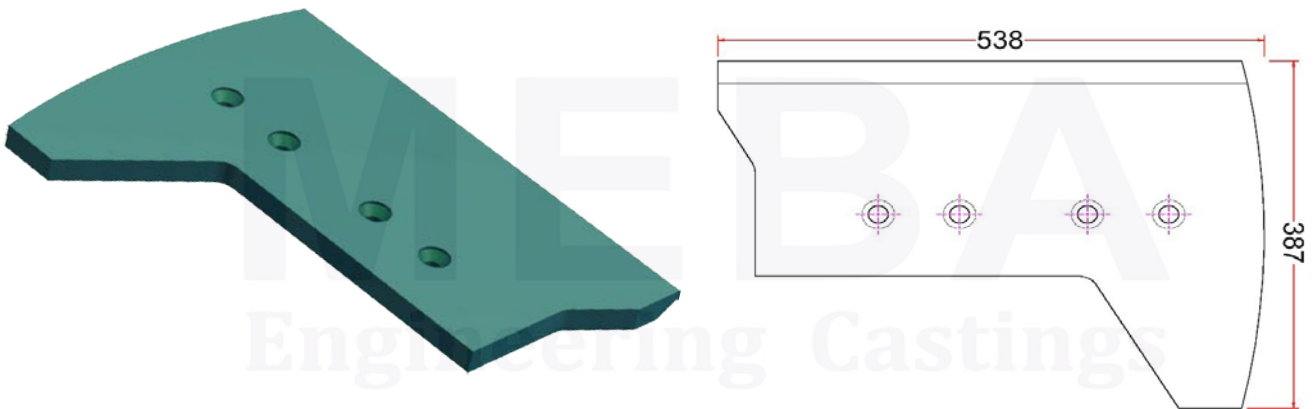
RIGHT BLADE

MEBA CODE : 73372



LEFT BLADE

MEBA CODE : 73371



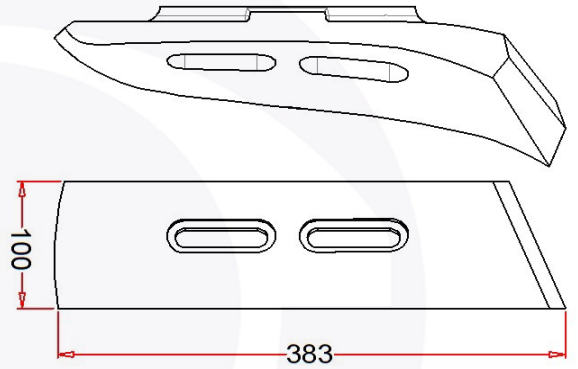
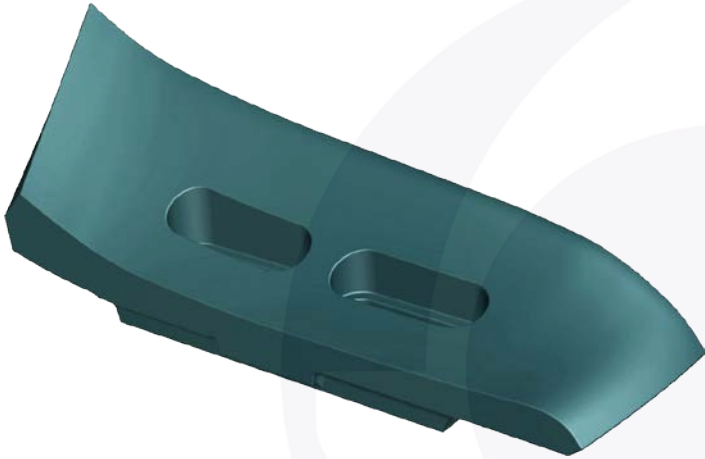
Grade	Abrasive Resistance Cast Iron / All Grades Available
Usage	Crusher, Cement, Asphalt and Ceramic Industries



www.meba.bh
sales@meba.bh

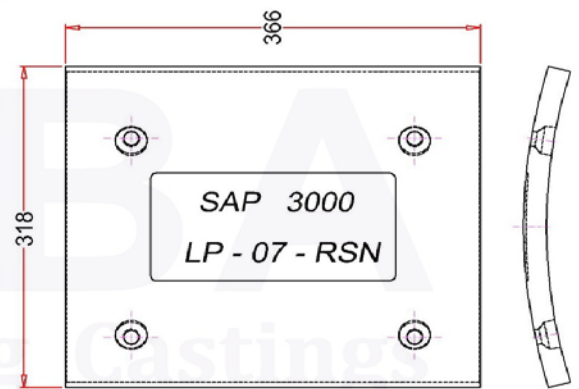
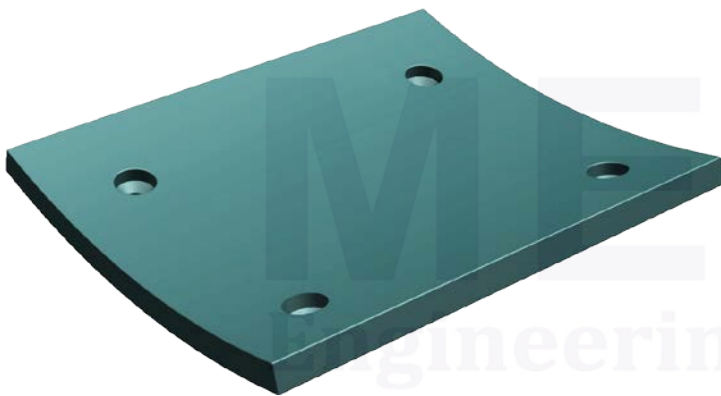
PADDLE TIP RAPID-M00700 CPFY NH

MEBA CODE : 73195



LINER PLATE SAP-3000(LP-07)

MEBA CODE : 74307



Grade

Abrasive Resistance Cast Iron / All Grades Available

Usage

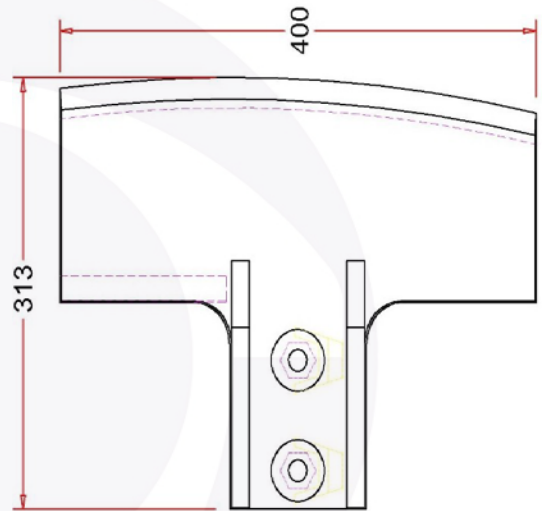
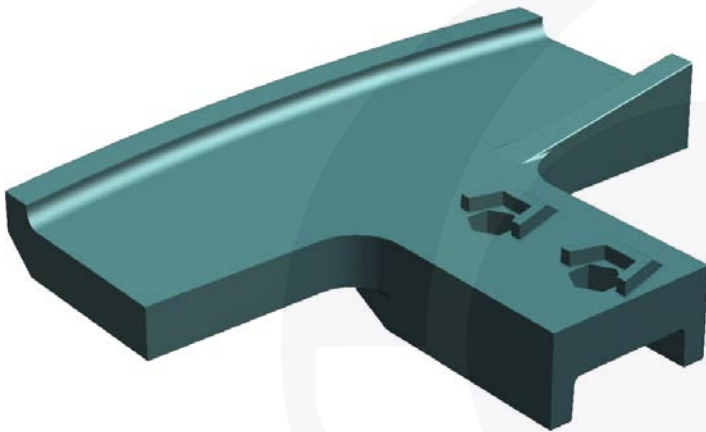
Crusher, Cement, Asphalt and Ceramic Industries



www.meba.bh
sales@meba.bh

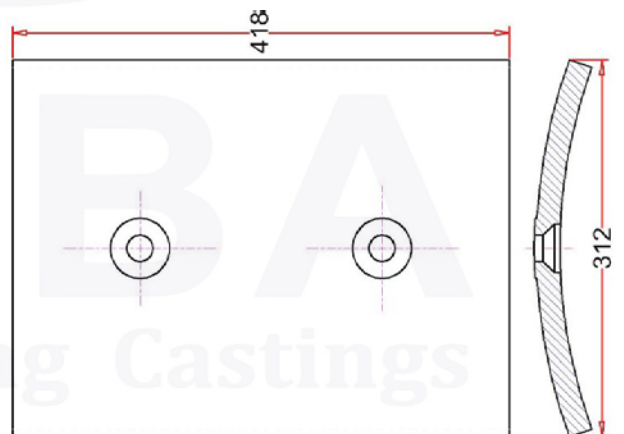
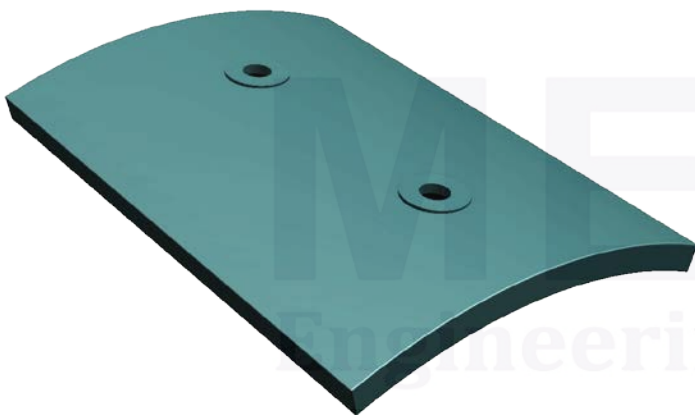
MIXING BLADE NO-01(LEFT)F7399

MEBA CODE : 74391



ALMIX BOTTOM LINER B374-14

MEBA CODE : 74047



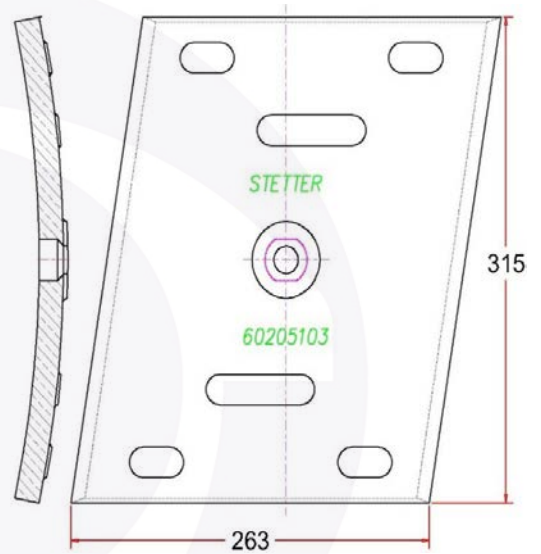
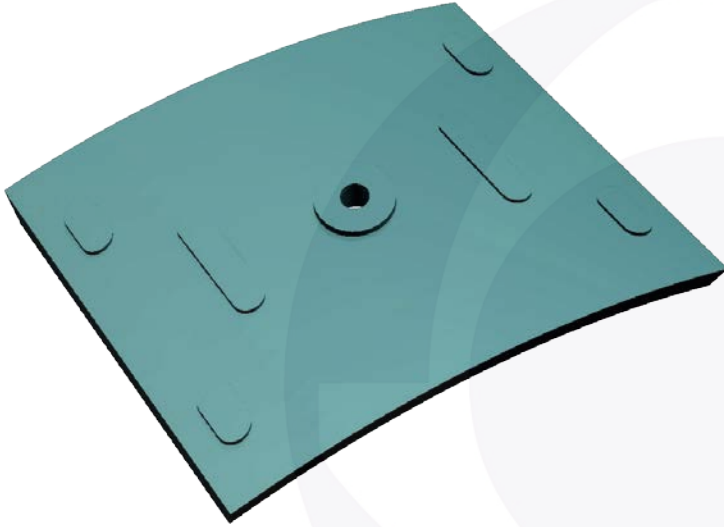
Grade	Abrasive Resistance Cast Iron / All Grades Available
Usage	Crusher, Cement, Asphalt and Ceramic Industries



www.meba.bh
sales@meba.bh

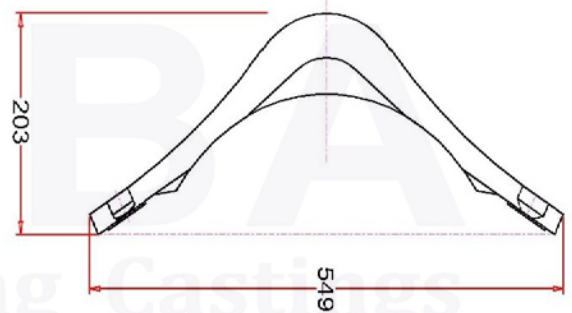
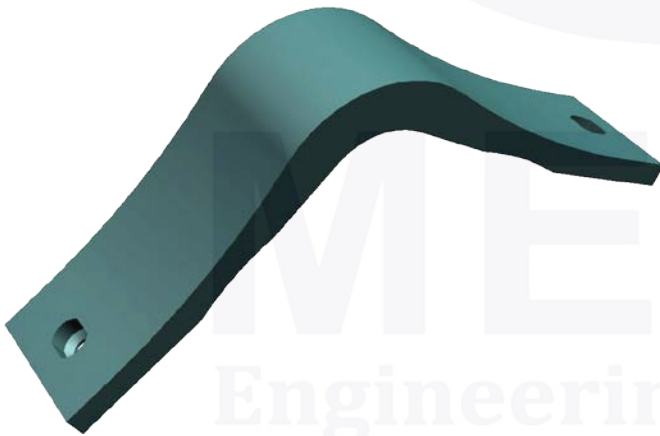
TROUGH TILE INNER SETTER 60205103

MEBA CODE : 73893



DICHARGE DOOR-COVER STETTER 60205028

MEBA CODE : 73891



Grade

Abrasive Resistance Cast Iron / All Grades Available

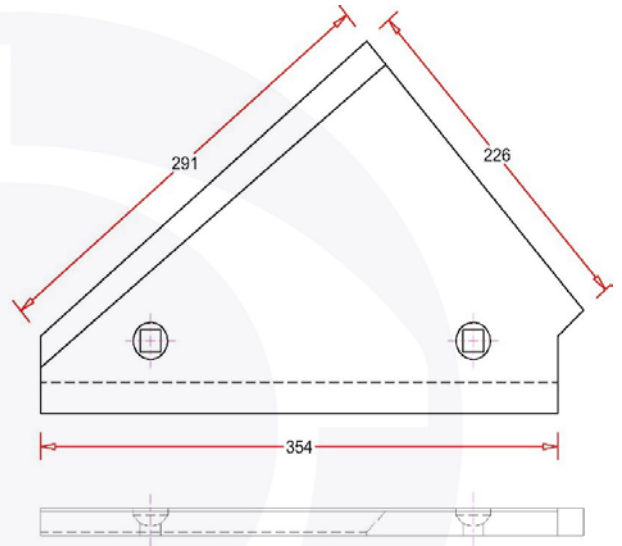
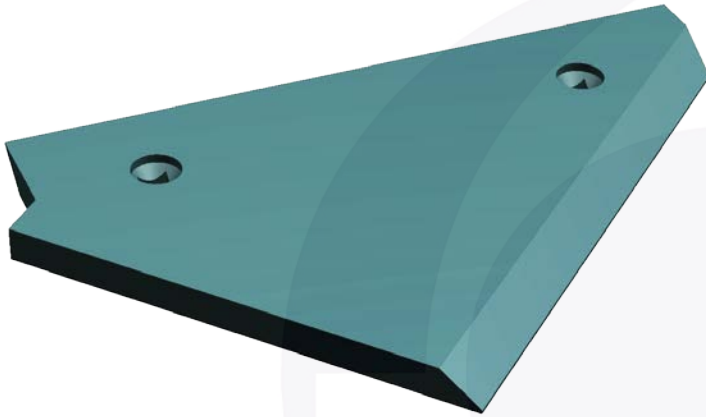
Usage

Crusher, Cement, Asphalt and Ceramic Industries



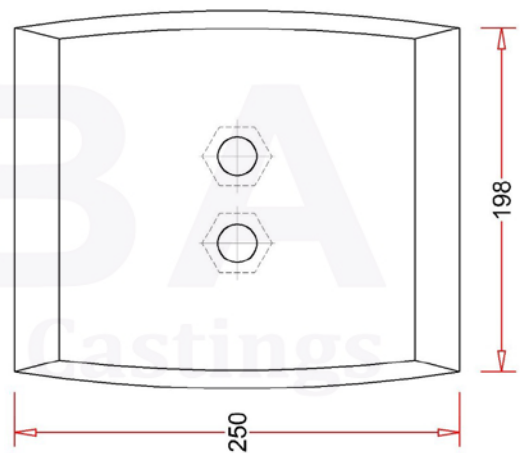
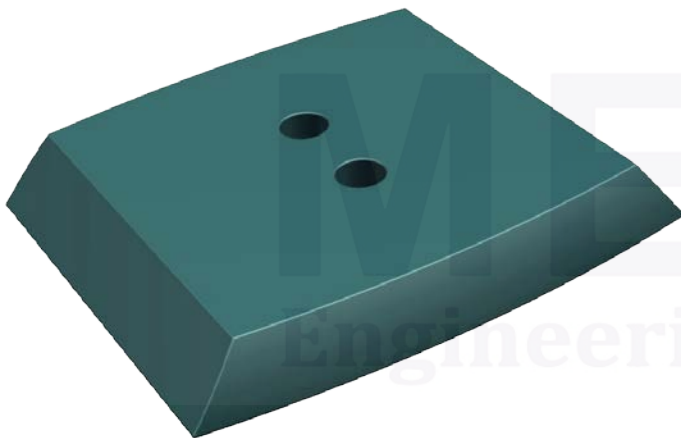
TRIANGLE PLATE RH

MEBA CODE : 74441



PADDLE TIP

MEBA CODE : 74435



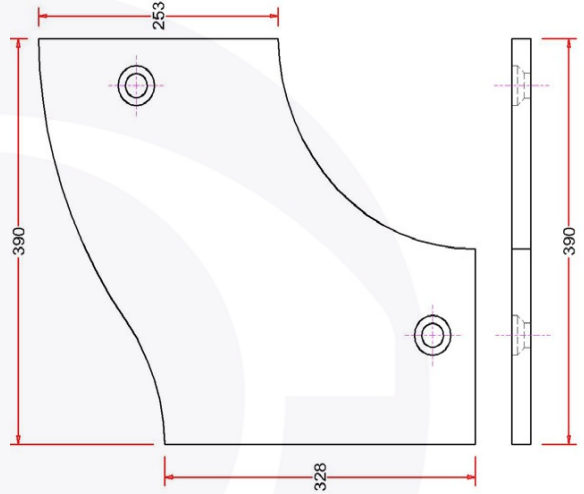
Grade	Abrasive Resistance Cast Iron / All Grades Available
Usage	Crusher, Cement, Asphalt and Ceramic Industries



www.meba.bh
sales@meba.bh

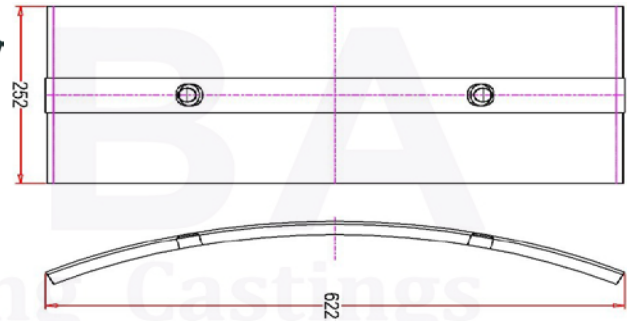
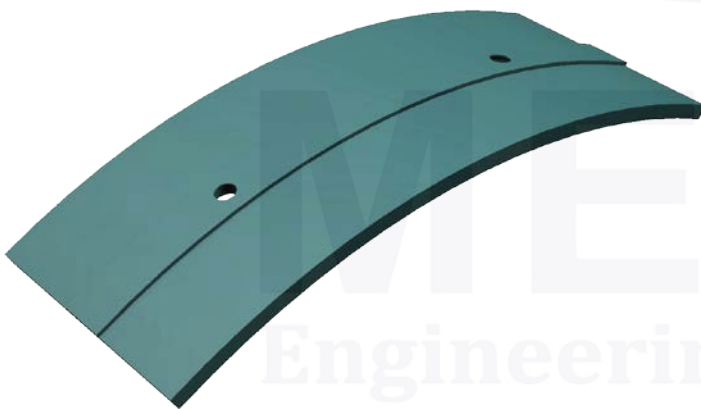
AL MIX LINER

MEBA CODE : 74443



TROUGH SHEET UPPER PRT STETTER 60205031

MEBA CODE : 73892



Grade

Abrasive Resistance Cast Iron / All Grades Available

Usage

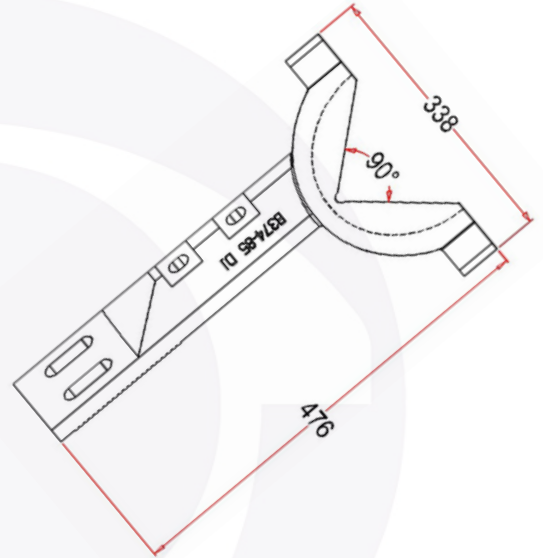
Crusher, Cement, Asphalt and Ceramic Industries



www.meba.bh
sales@meba.bh

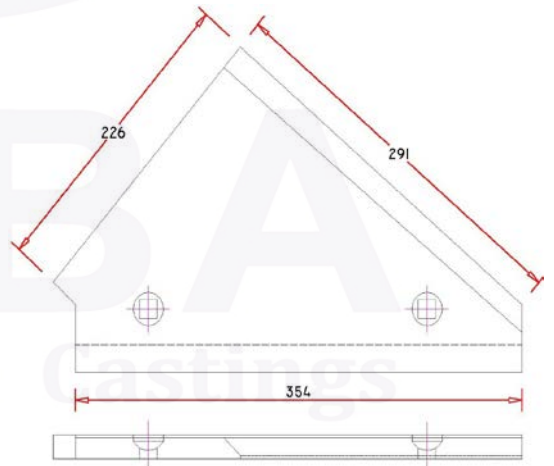
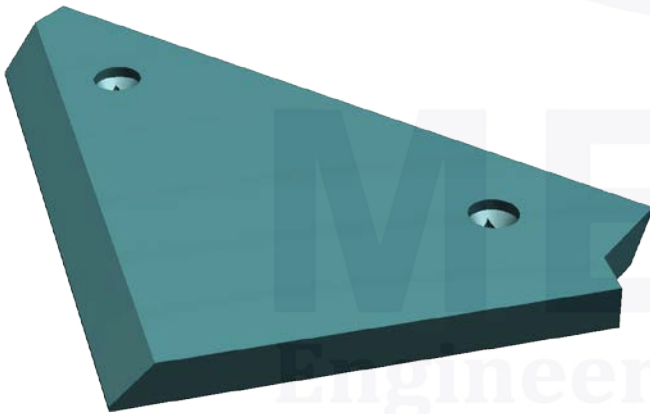
PADDLE ARM LEFT B374 85

MEBA CODE : 74981



TRIANGLE PLATE LH TP-AA3-4596C

MEBA CODE : 74442



Grade

Abrasive Resistance Cast Iron / All Grades Available

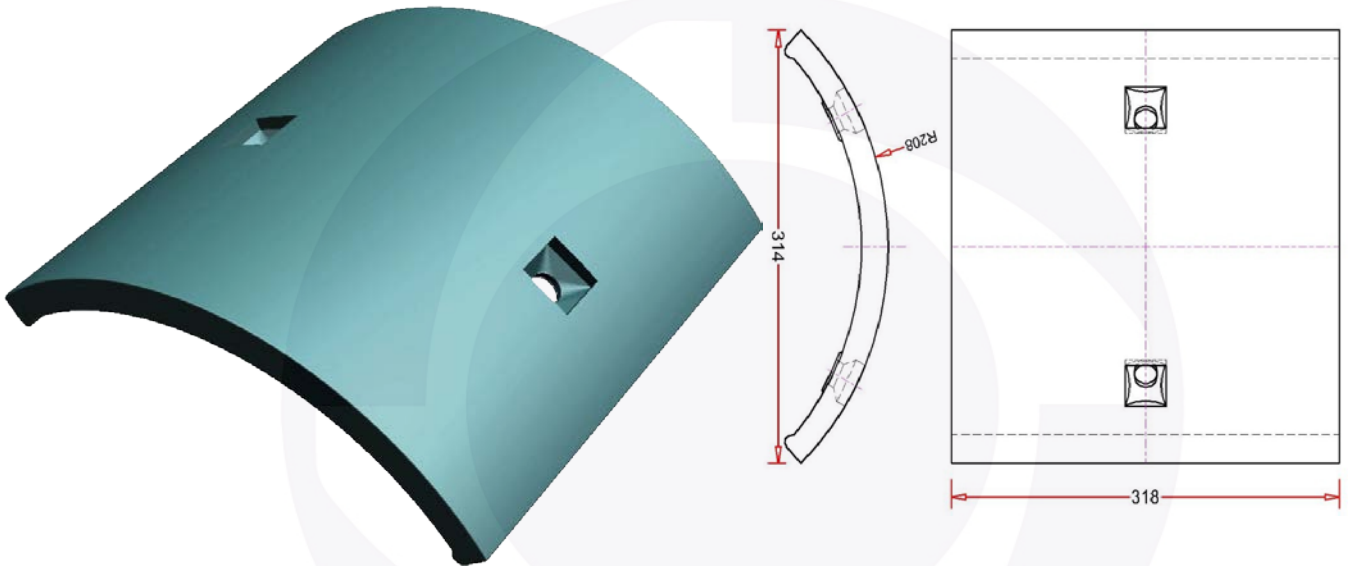
Usage

Crusher, Cement, Asphalt and Ceramic Industries



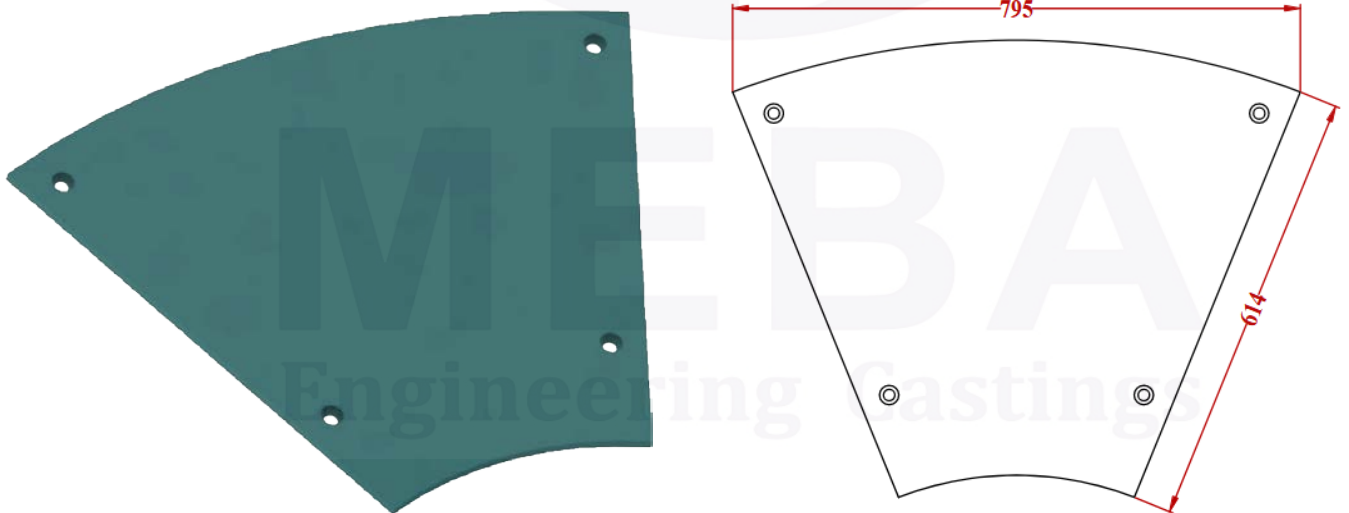
LINER PLATE-P319520

MEBA CODE : 74398



LINER 795X330X12MM

MEBA CODE : 72944



Grade

Abrasive Resistance Cast Iron / All Grades Available

Usage

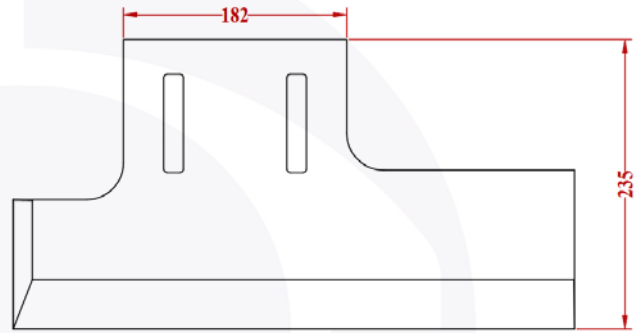
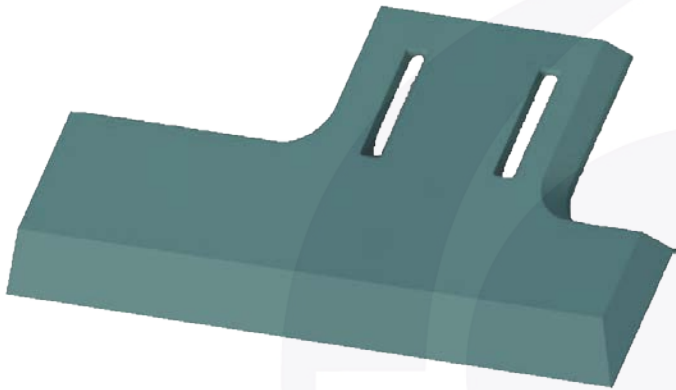
Crusher, Cement, Asphalt and Ceramic Industries



www.meba.bh
sales@meba.bh

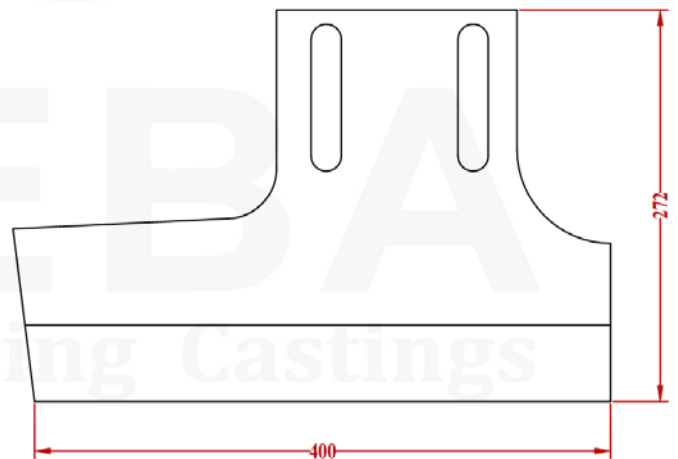
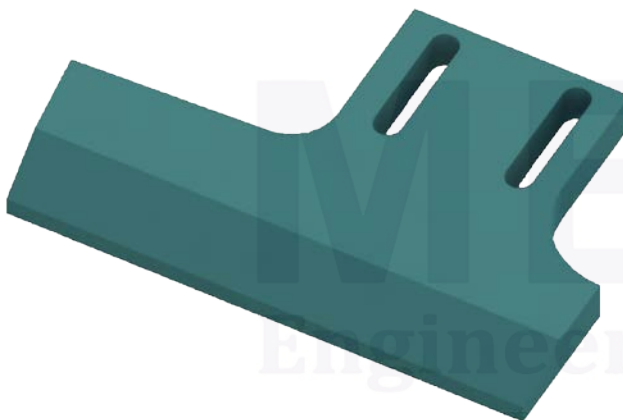
PEMAT 01 R (PSP-01R)

MEBA CODE : 72970



INNER SCRAPPER 900030

MEBA CODE : 72794

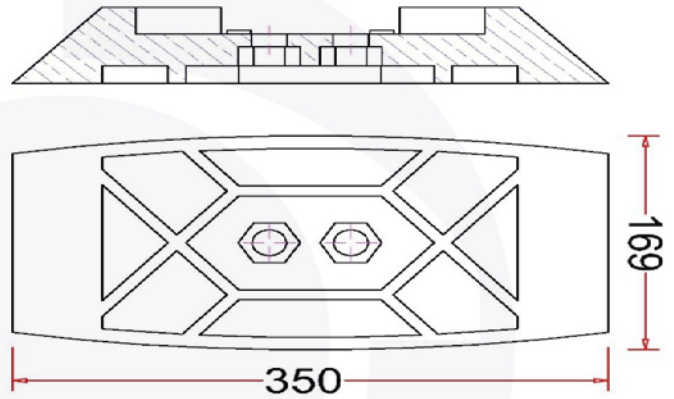
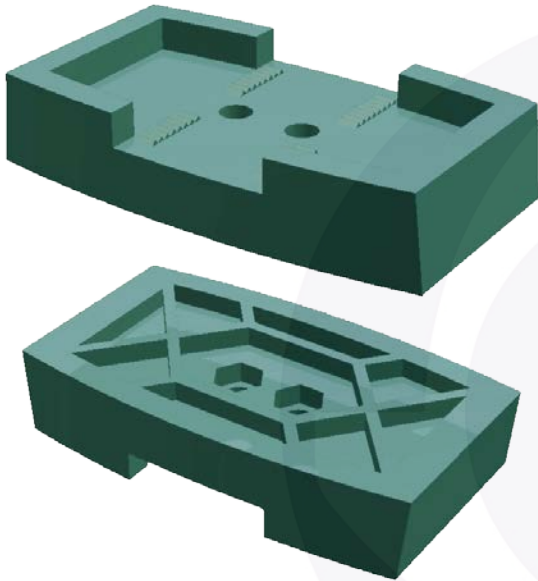


Grade	Abrasive Resistance Cast Iron / All Grades Available
Usage	Crusher, Cement, Asphalt and Ceramic Industries



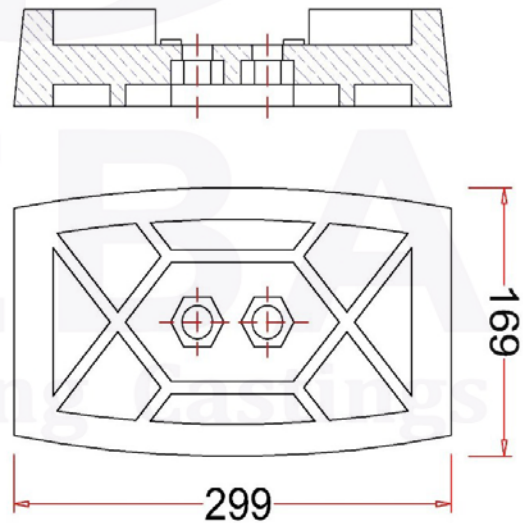
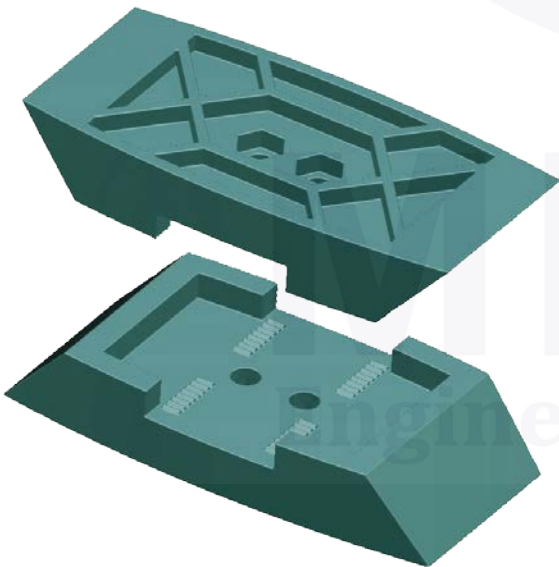
ALMIX MIXER PLATE B374-23-0300948

MEBA CODE : 73190



ALMIX MIXER END PADDLE (B374-24) 0300949

MEBA CODE : 73191

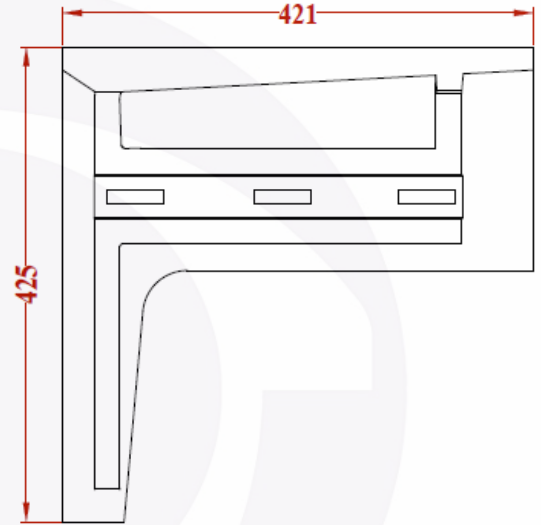
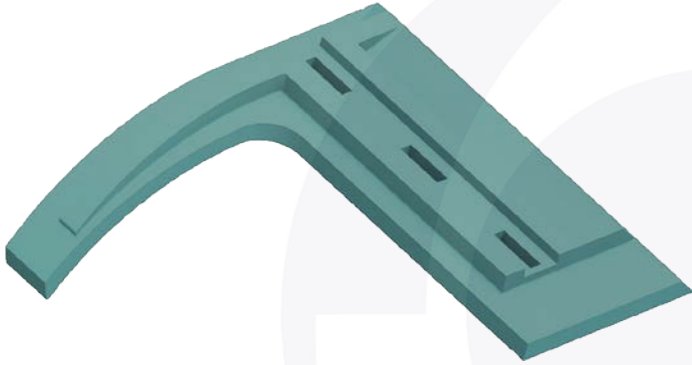


Grade	Abrasive Resistance Cast Iron / All Grades Available
Usage	Crusher, Cement, Asphalt and Ceramic Industries



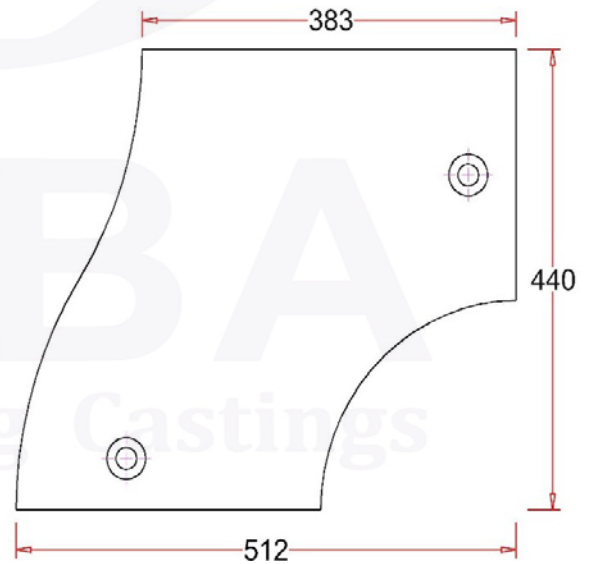
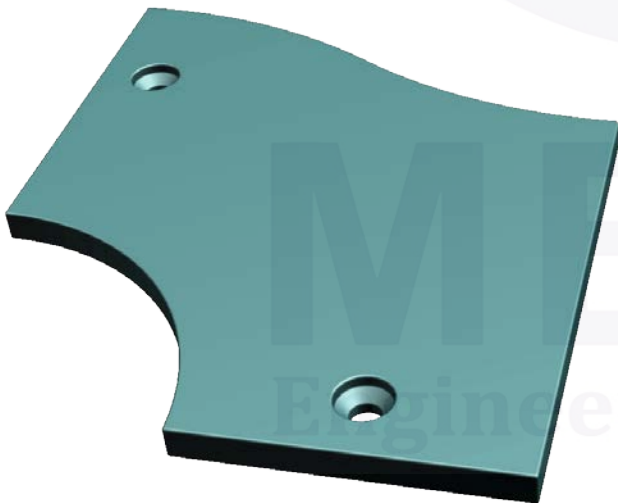
MIXER PLATE FG04

MEBA CODE : 73850



ALMIX - MIXER END LINER 02 (0300942)

MEBA CODE : 73186



Grade

Abrasive Resistance Cast Iron / All Grades Available

Usage

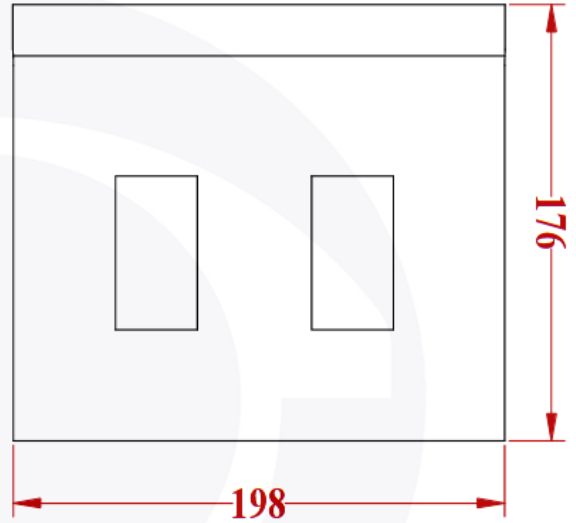
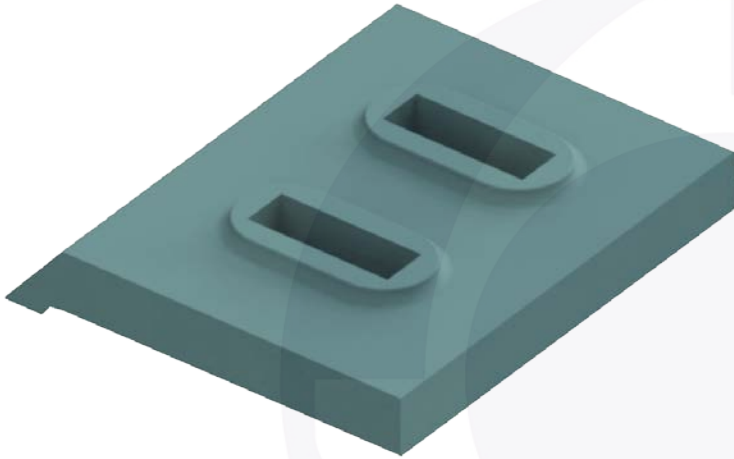
Crusher, Cement, Asphalt and Ceramic Industries



www.meba.bh
sales@meba.bh

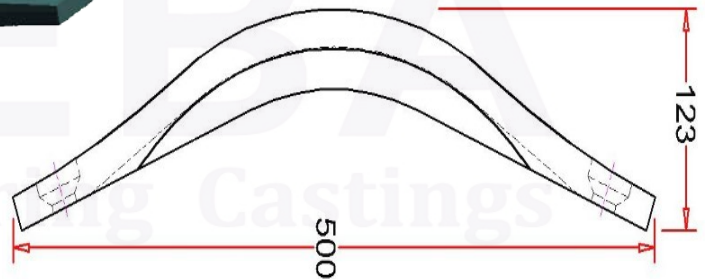
LATERAL BLADE GOPR4 SIC NH

MEBA CODE : 73106



LINER PLATE-P319519 ALF-NH

MEBA CODE : 74397

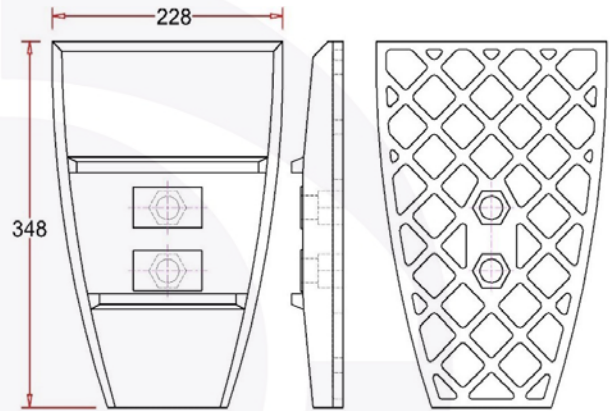
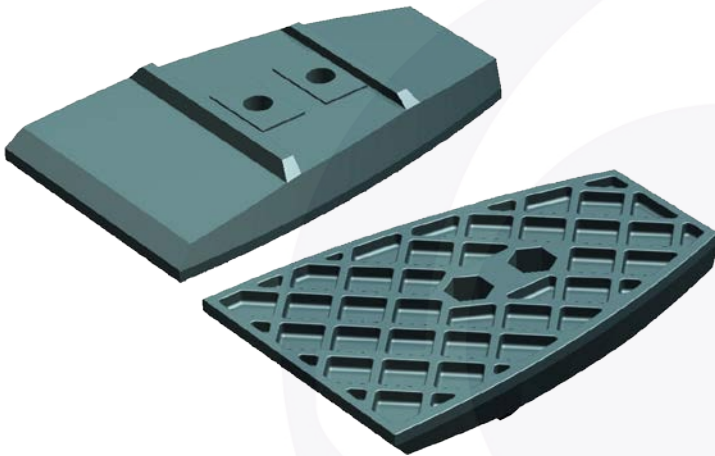


Grade	Abrasive Resistance Cast Iron / All Grades Available
Usage	Crusher, Cement, Asphalt and Ceramic Industries



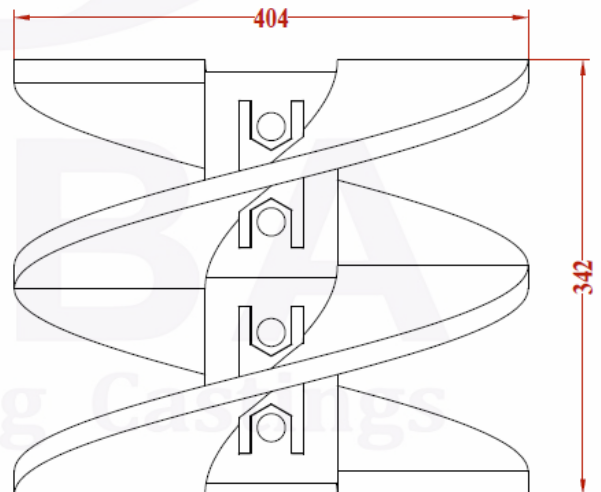
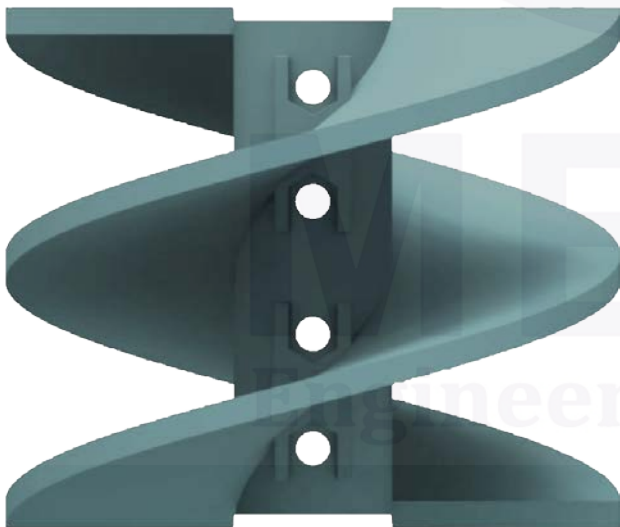
MIXER PLATE 90924-012 (LINTEC)

MEBA CODE : 74511



SCREW 05 LEFT (212100574)

MEBA CODE : 75212

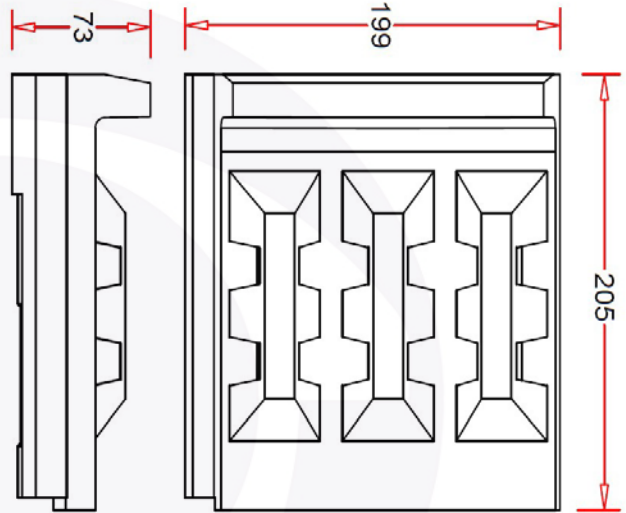
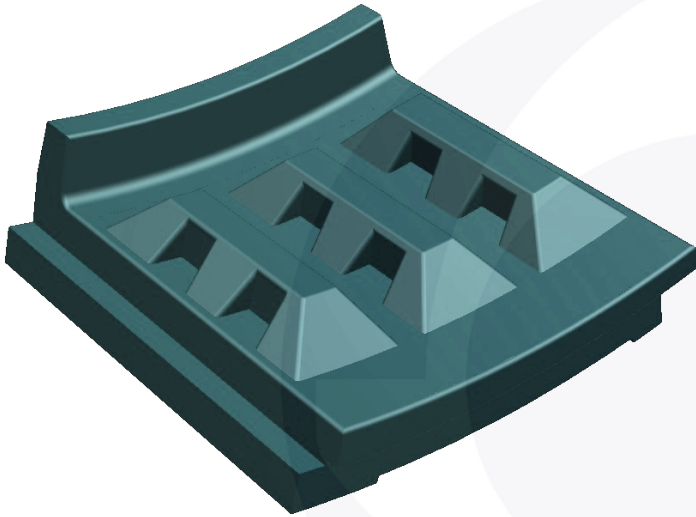


Grade	Abrasive Resistance Cast Iron / All Grades Available
Usage	Crusher, Cement, Asphalt and Ceramic Industries



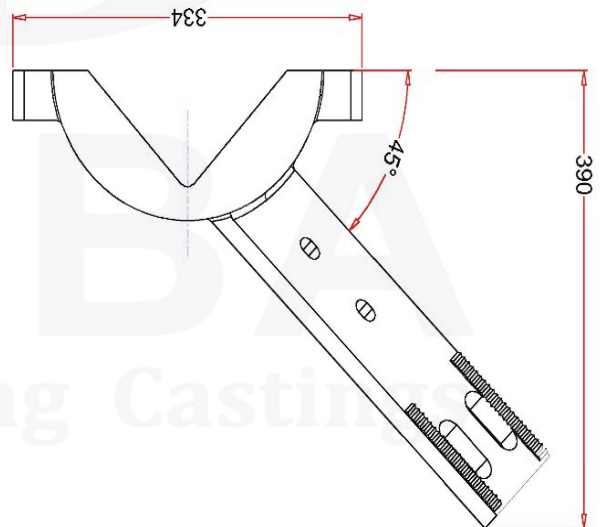
LINER PLATE 01

MEBA CODE : 73266



MIXER ARM – Left / Right

MEBA CODE : 74982

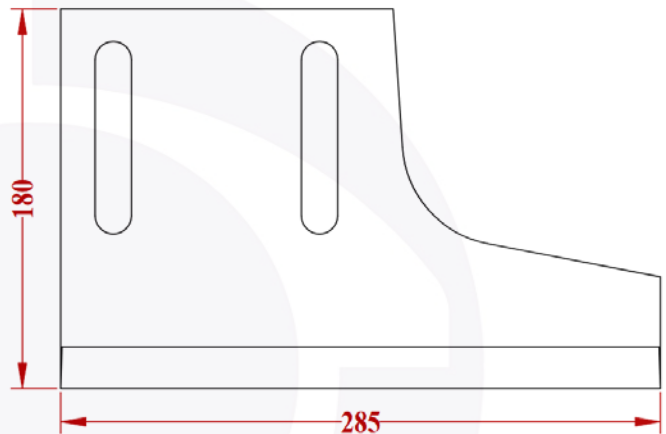
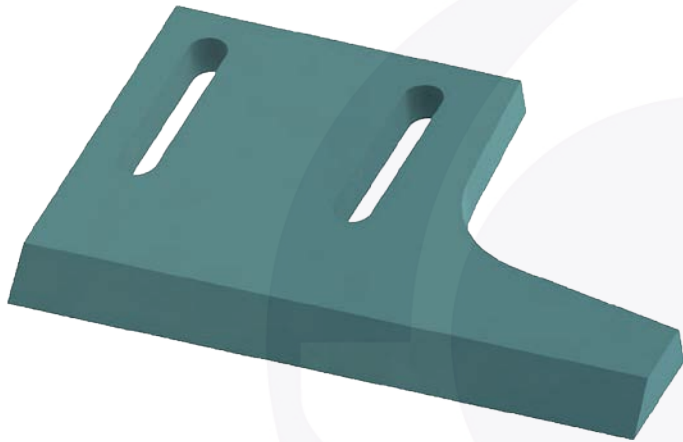


Grade	Abrasive Resistance Cast Iron / All Grades Available
Usage	Crusher, Cement, Asphalt and Ceramic Industries



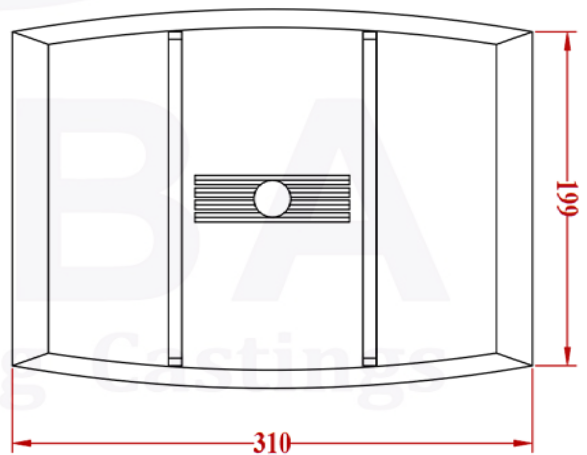
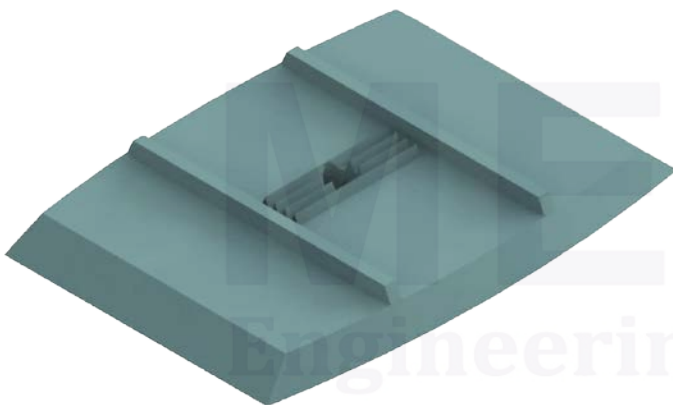
TEKA INNER SCRAPPER 02 (TSP-02)

MEBA CODE : 72793



MIXER PLATE ACS-6014

MEBA CODE : 72972



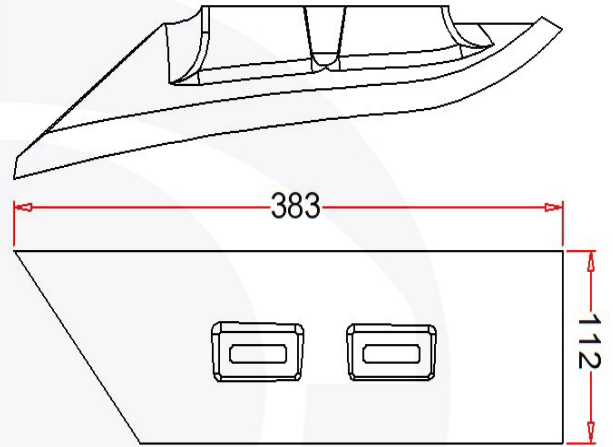
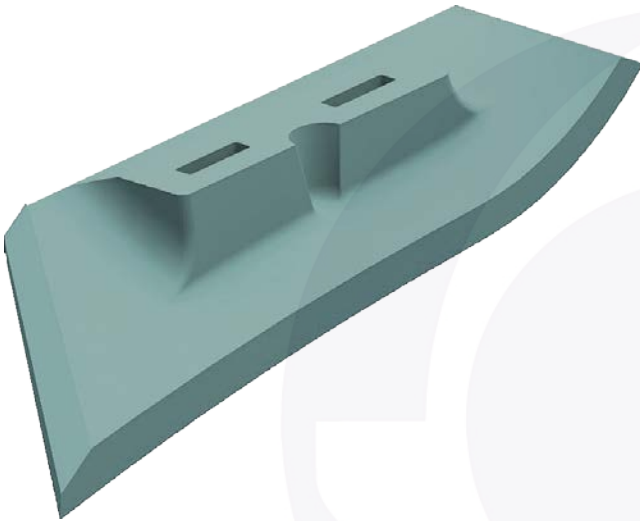
Grade	Abrasive Resistance Cast Iron / All Grades Available
Usage	Crusher, Cement, Asphalt and Ceramic Industries



www.meba.bh
sales@meba.bh

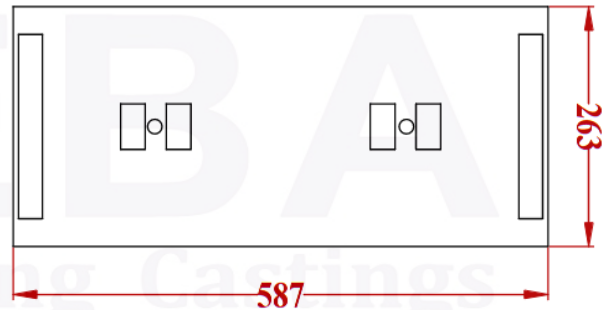
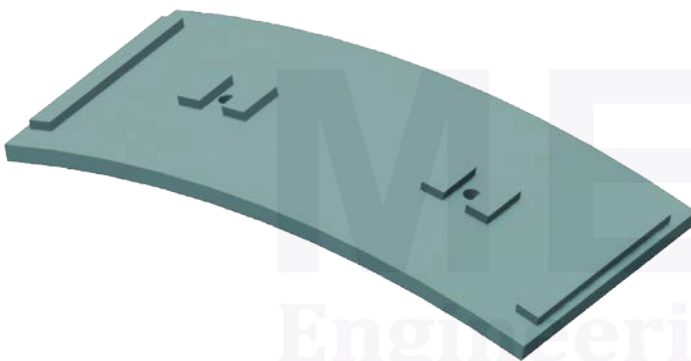
SCRAPPER PLATE 178 11603

MEBA CODE : 73193



TUB SHEET METAL 933042905

MEBA CODE : 73090



Grade	Abrasive Resistance Cast Iron / All Grades Available
Usage	Crusher, Cement, Asphalt and Ceramic Industries



SLIDE VALVE COVERING (933249105)

MEBA CODE : 73089

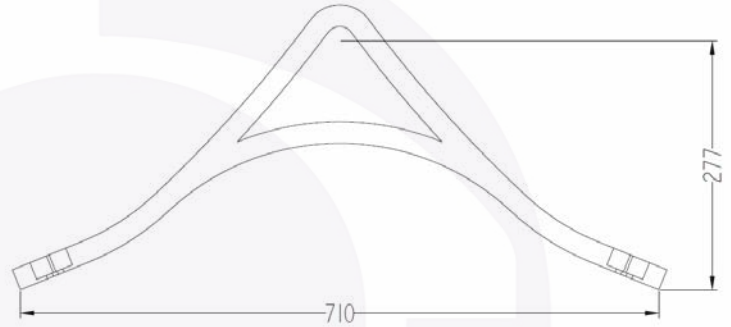
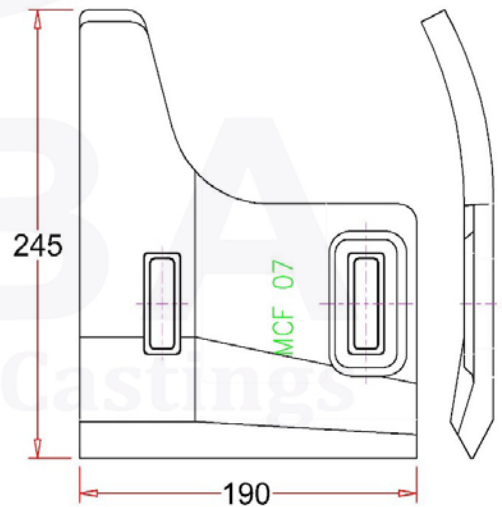
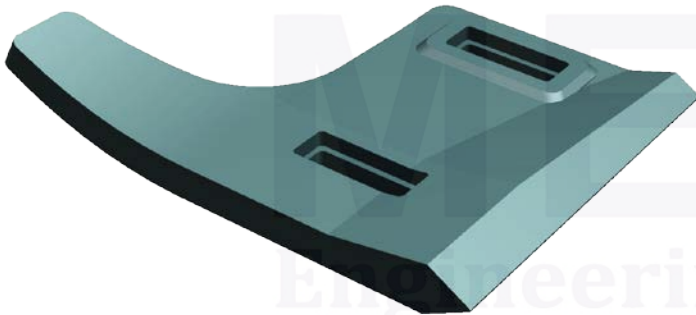


PLATE BIG-MCF-7

MEBA CODE : 74283

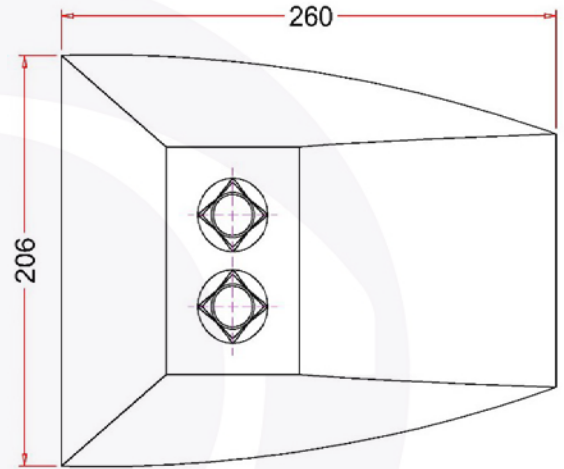
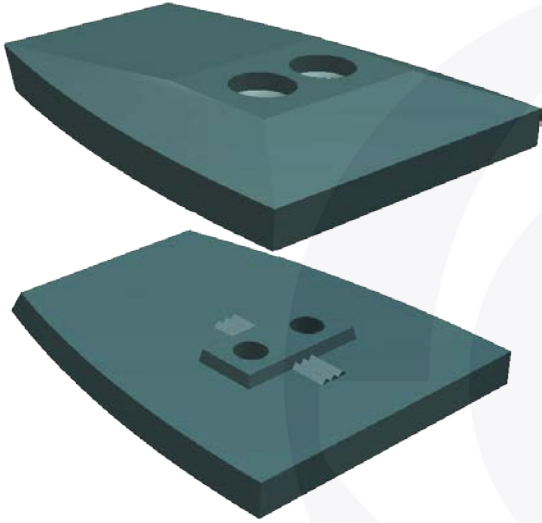


Grade	Abrasive Resistance Cast Iron / All Grades Available
Usage	Crusher, Cement, Asphalt and Ceramic Industries



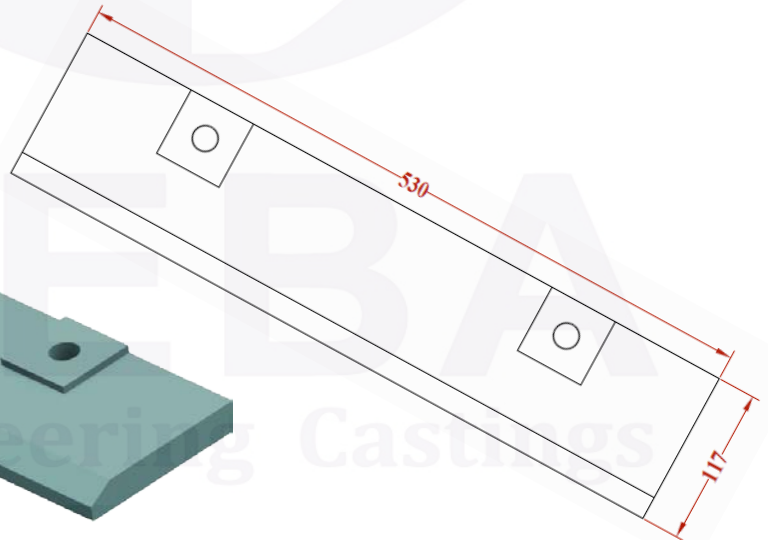
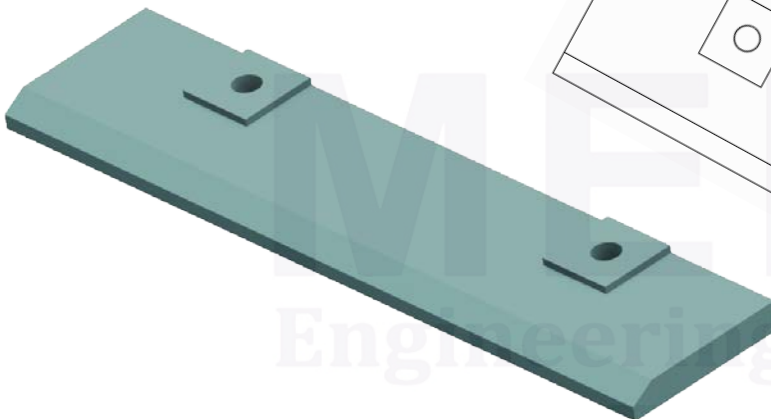
PADDLE TIP PARKER_2763

MEBA CODE : 73300



LINER PLATES FOR BOEHRINGER CRUSHER

MEBA CODE : 73532

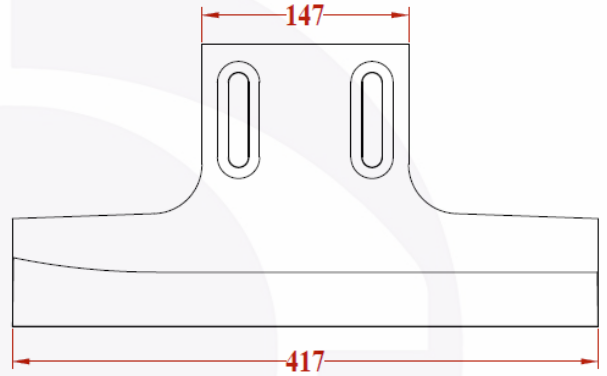


Grade	Abrasive Resistance Cast Iron / All Grades Available
Usage	Crusher, Cement, Asphalt and Ceramic Industries



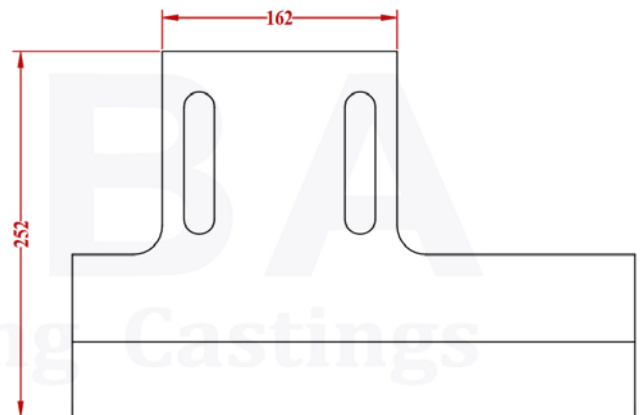
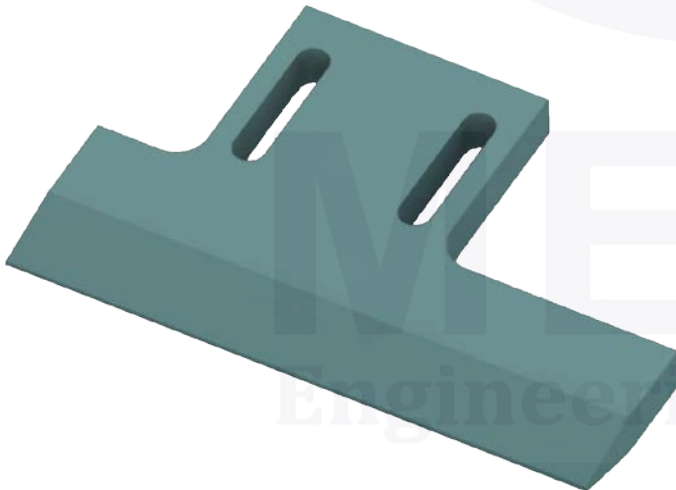
SCRAPPER PLATE #13 (25249)

MEBA CODE : 74715



OUTER SCRAPPER 90003J

MEBA CODE : 72795

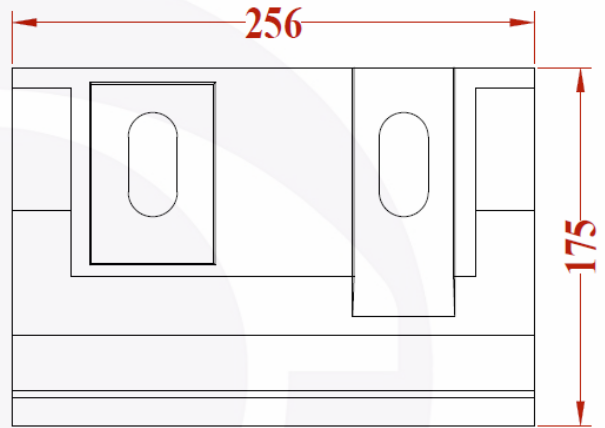
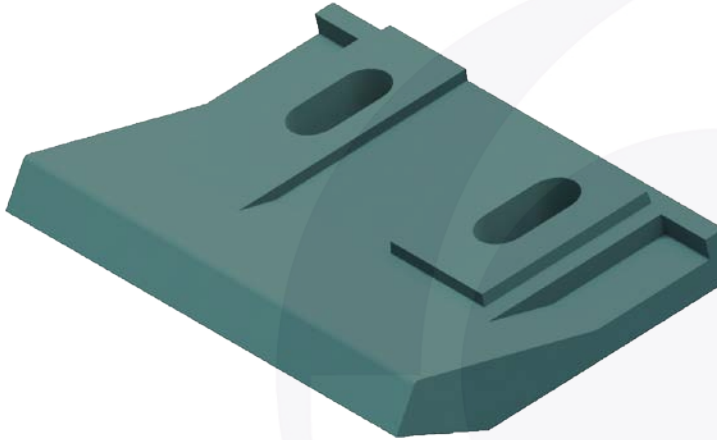


Grade	Abrasive Resistance Cast Iron / All Grades Available
Usage	Crusher, Cement, Asphalt and Ceramic Industries



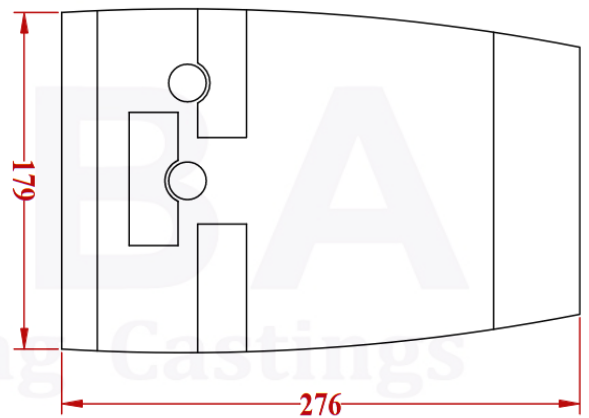
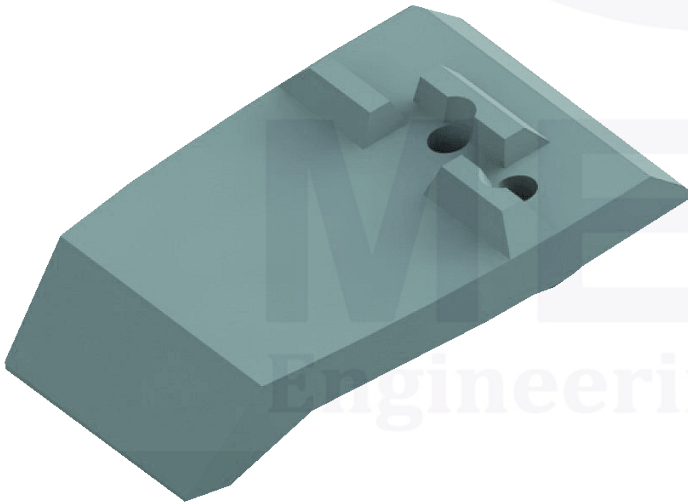
SIDE PLATE 970163005

MEBA CODE : 74536



MIXER PLATE 133

MEBA CODE : 73078

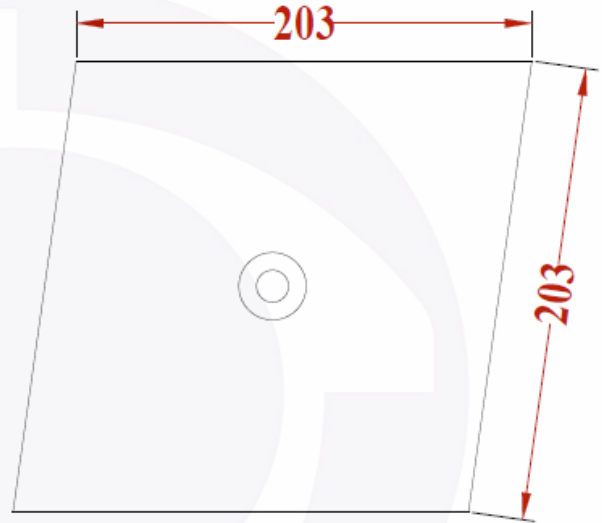
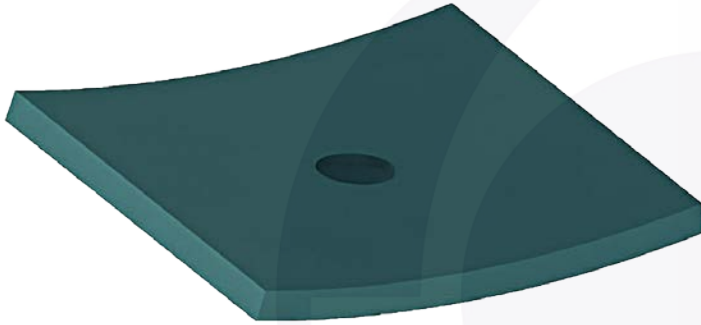


Grade	Abrasive Resistance Cast Iron / All Grades Available
Usage	Crusher, Cement, Asphalt and Ceramic Industries



SICOMA FLOOR TILE-01 (200X200X12MM)

MEBA CODE : 74705



CURVED LINER PLATE 455WX358LX18MM THK

MEBA CODE : 74457

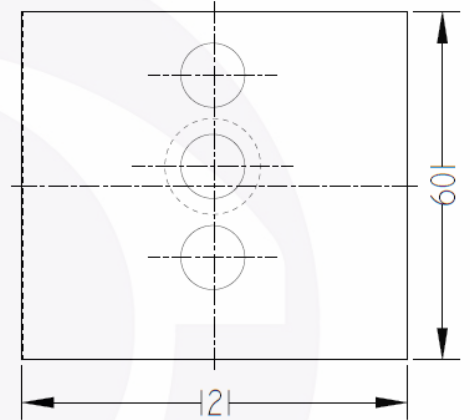
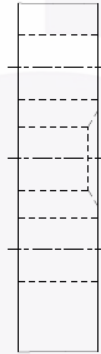
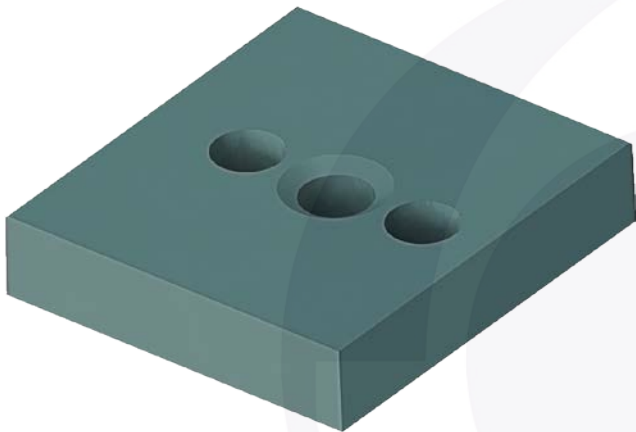


Grade	Abrasive Resistance Cast Iron / All Grades Available
Usage	Crusher, Cement, Asphalt and Ceramic Industries



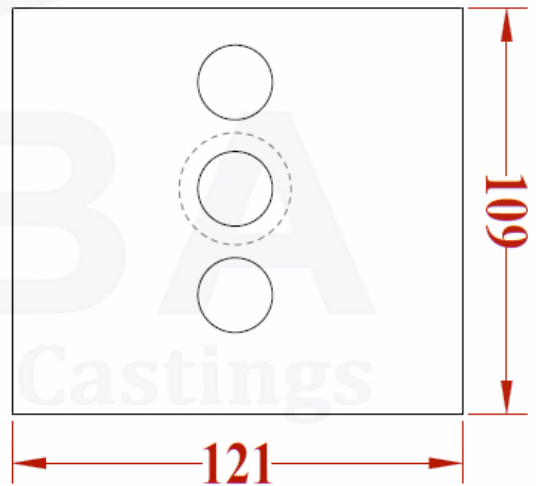
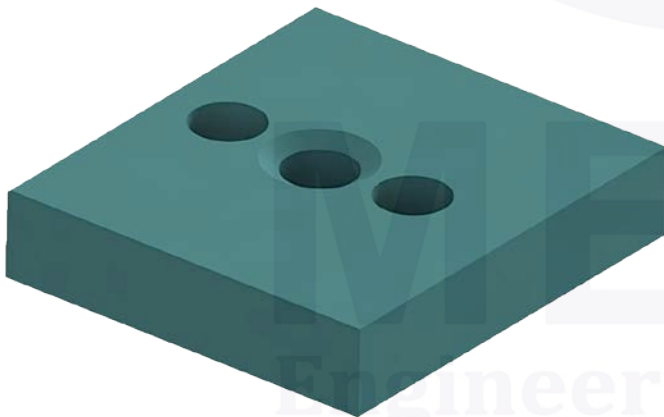
ROAD BASE PLANT MIXER ARM LINER RIGHT

MEBA CODE : 75313



ROAD BASE PLANT MIXER ARM LINER LEFT

MEBA CODE : 75314



Grade

Abrasive Resistance Cast Iron / All Grades Available

Usage

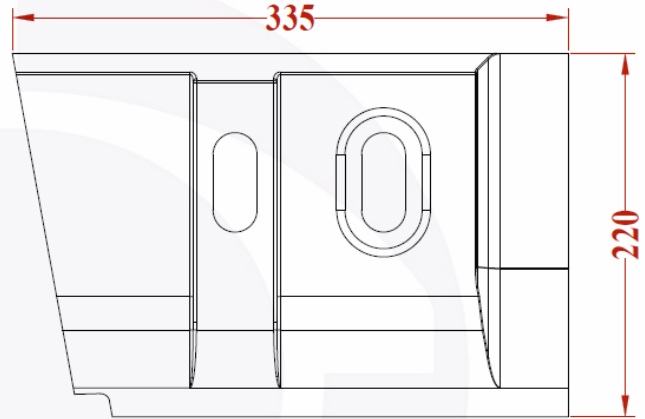
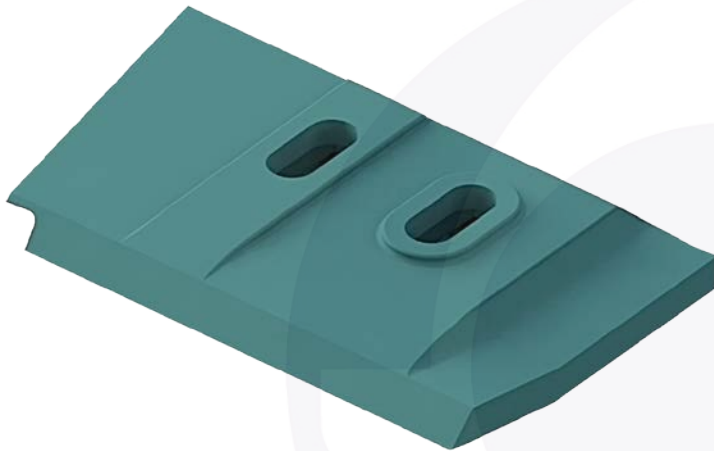
Crusher, Cement, Asphalt and Ceramic Industries



www.meba.bh
sales@meba.bh

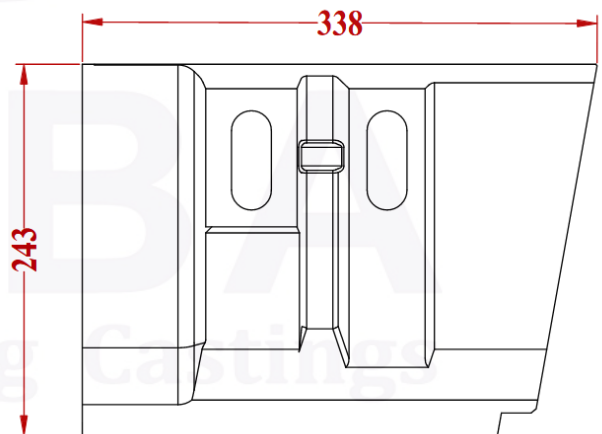
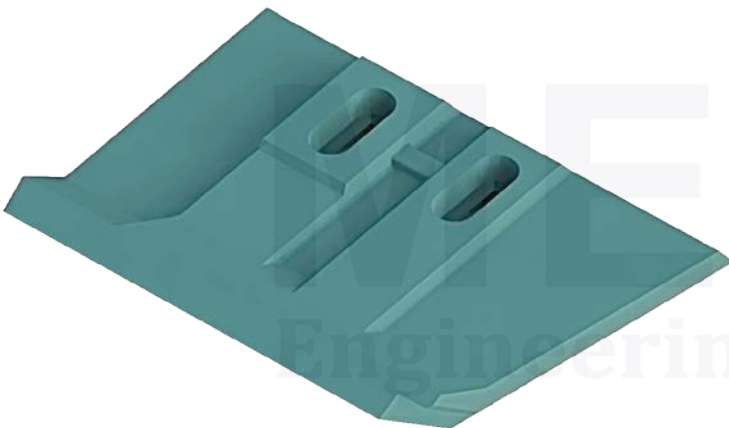
BHS LINER 20043248 B

MEBA CODE : 75851



BHS LINER 20043245 B

MEBA CODE : 75852

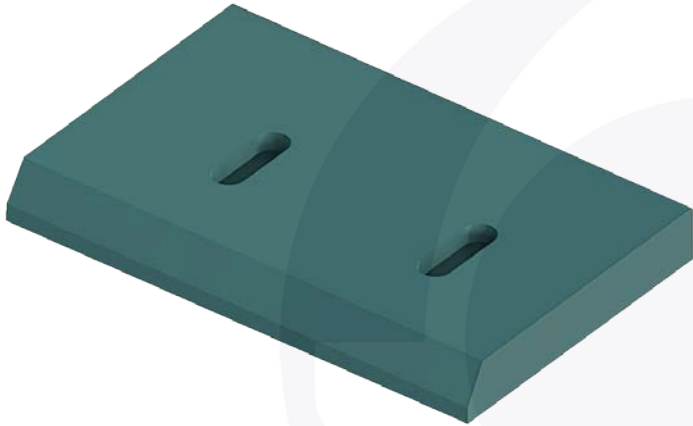


Grade	Abrasive Resistance Cast Iron / All Grades Available
Usage	Crusher, Cement, Asphalt and Ceramic Industries



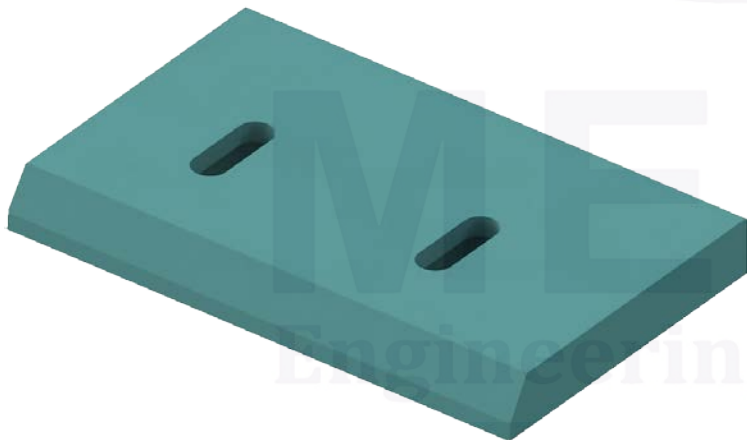
SCRAPPER PLATE 01 LEFT

MEBA CODE : 75191



SCRAPPER PLATE 01 RIGHT

MEBA CODE : 75192

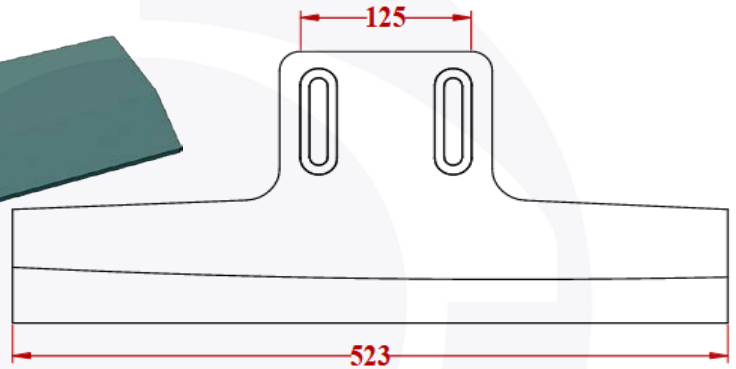
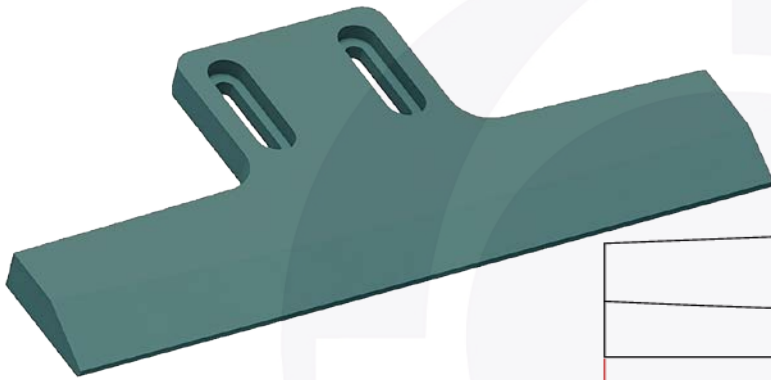


Grade	Abrasive Resistance Cast Iron / All Grades Available
Usage	Crusher, Cement, Asphalt and Ceramic Industries



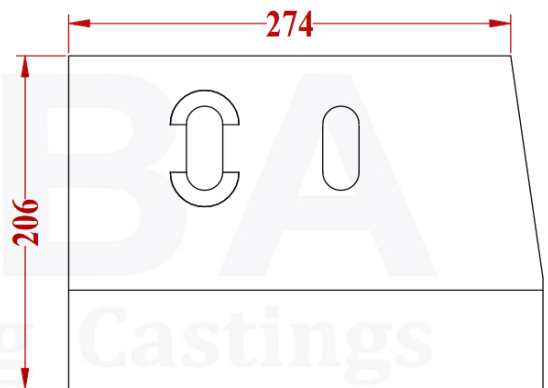
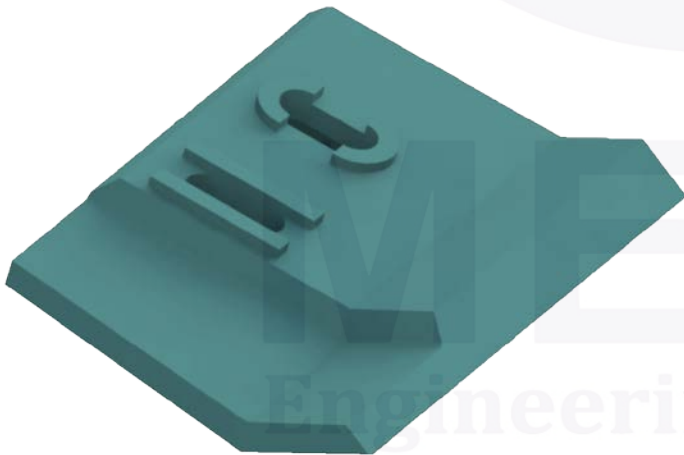
SCRAPPER PLATE TEKA (510MM LENGTH)

MEBA CODE : 75065



PEMAT 02 INNER SCRAPPER

MEBA CODE : 75078

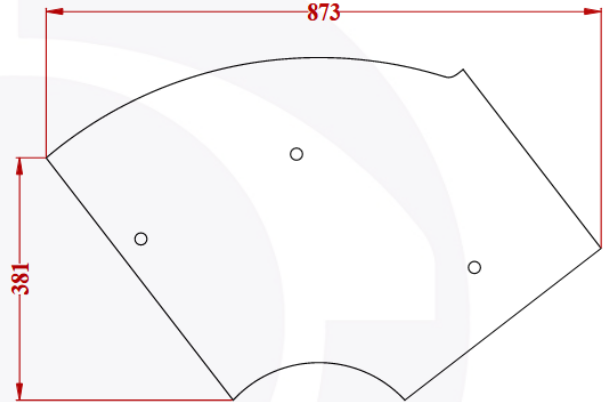
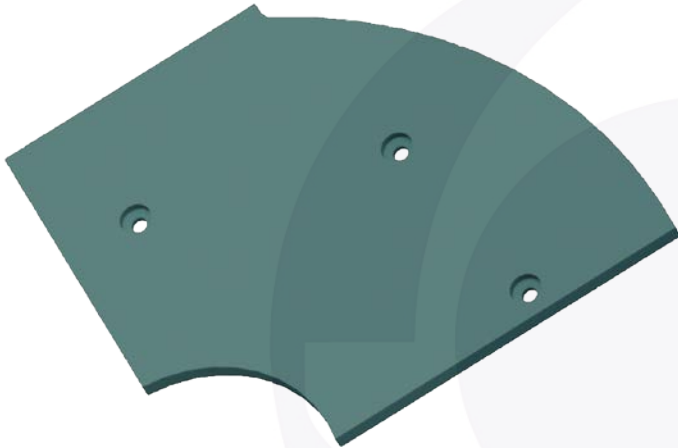


Grade	Abrasive Resistance Cast Iron / All Grades Available
Usage	Crusher, Cement, Asphalt and Ceramic Industries



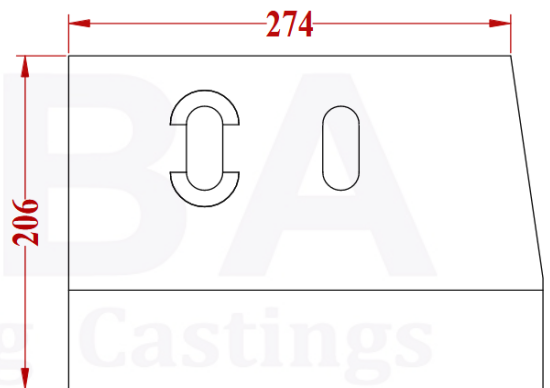
FACE WALL TILE (933061905)

MEBA CODE : 73082



PADDLE ARM CLAMP 0302126

MEBA CODE : 75598



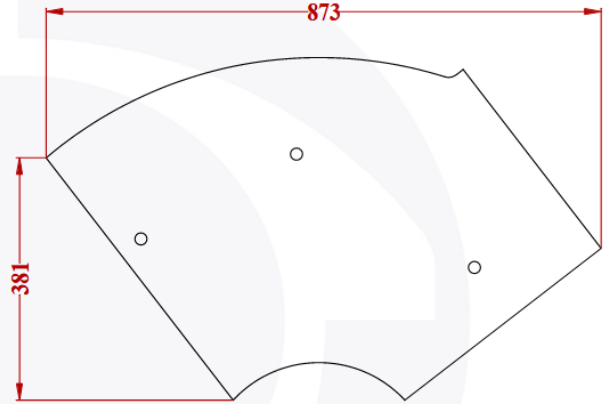
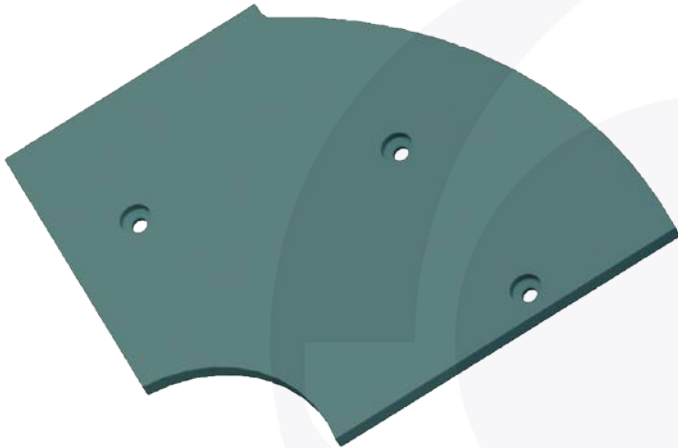
Grade	Abrasive Resistance Cast Iron / All Grades Available
Usage	Crusher, Cement, Asphalt and Ceramic Industries



www.meba.bh
sales@meba.bh

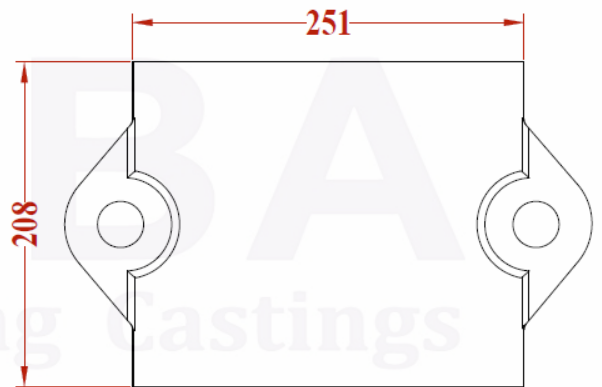
FACE WALL TILE (933061905)

MEBA CODE : 73082



PADDLE ARM CLAMP 0302126

MEBA CODE : 75598



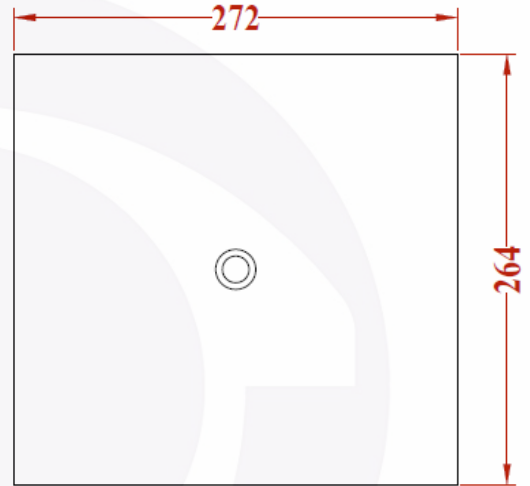
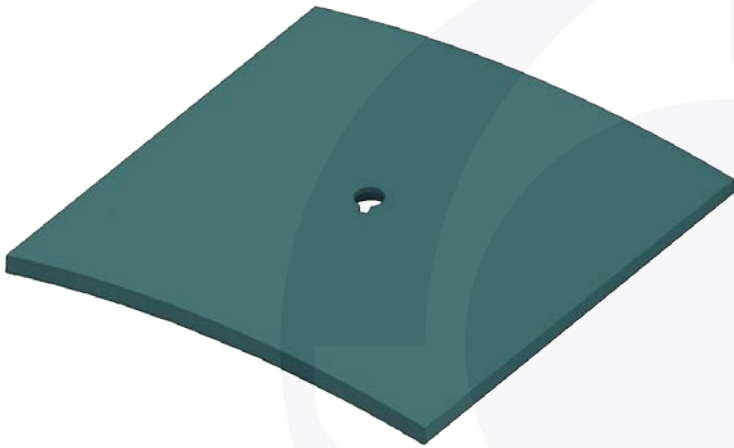
Grade	Abrasive Resistance Cast Iron / All Grades Available
Usage	Crusher, Cement, Asphalt and Ceramic Industries



www.meba.bh
sales@meba.bh

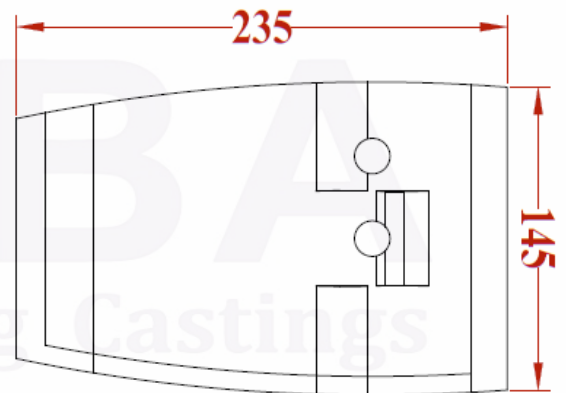
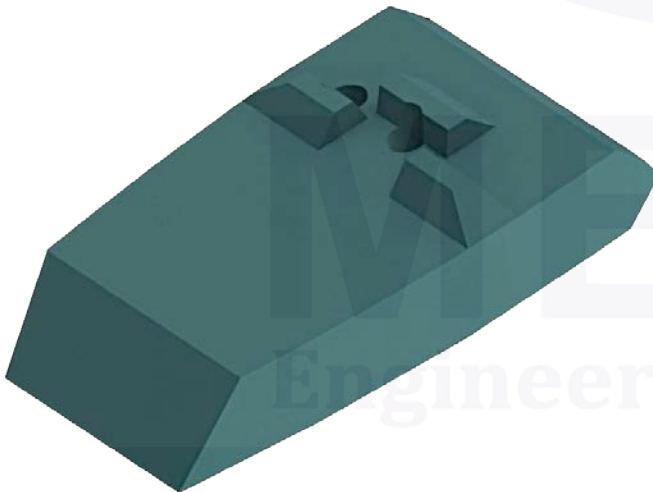
FLOOR TILE - GOPR3S (300 X 300)

MEBA CODE : 75539



LINER FOR MIXER ARM RIGHT L222XW140MM

MEBA CODE : 75639



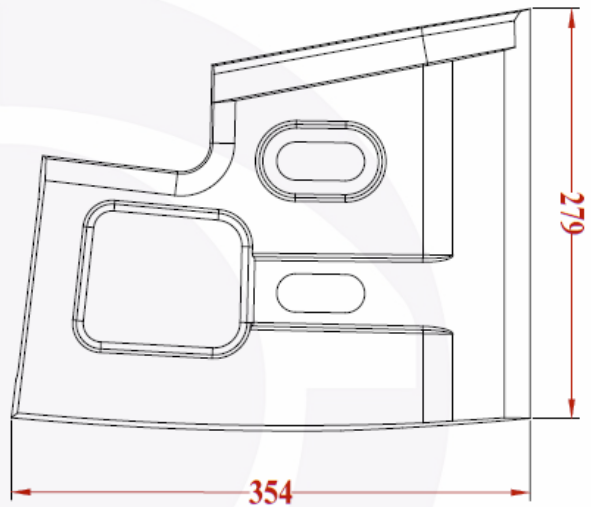
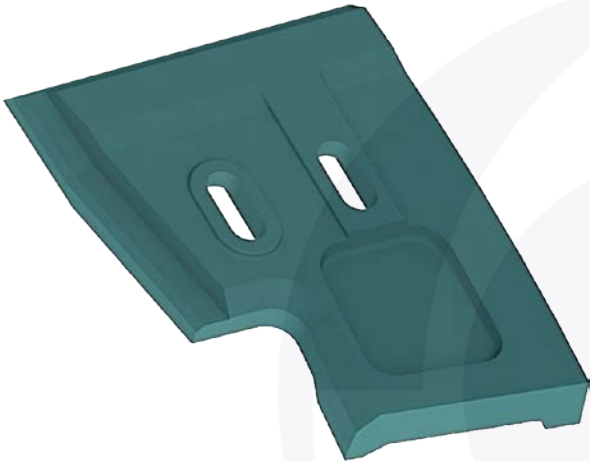
Grade	Abrasive Resistance Cast Iron / All Grades Available
Usage	Crusher, Cement, Asphalt and Ceramic Industries



www.meba.bh
sales@meba.bh

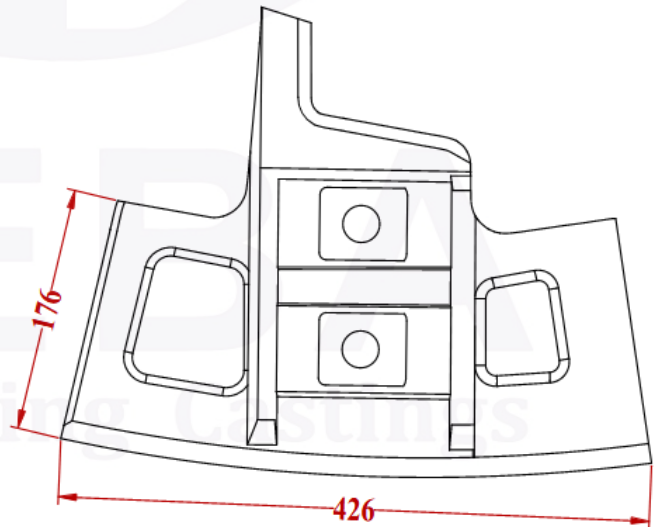
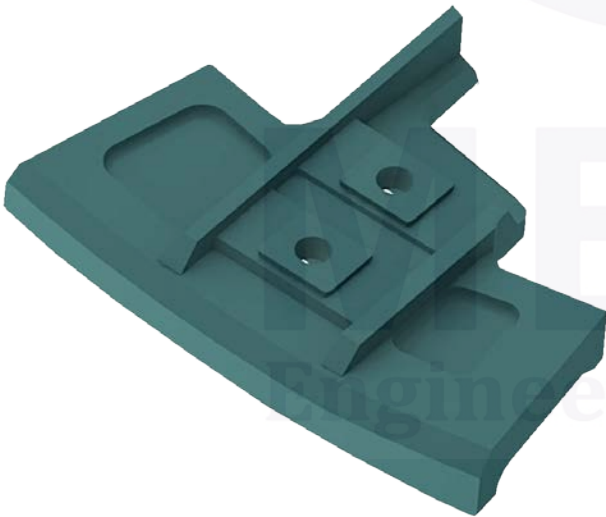
BHS LINER 20043246 A

MEBA CODE : 75849



BHS LINER 20043243 A

MEBA CODE : 75848

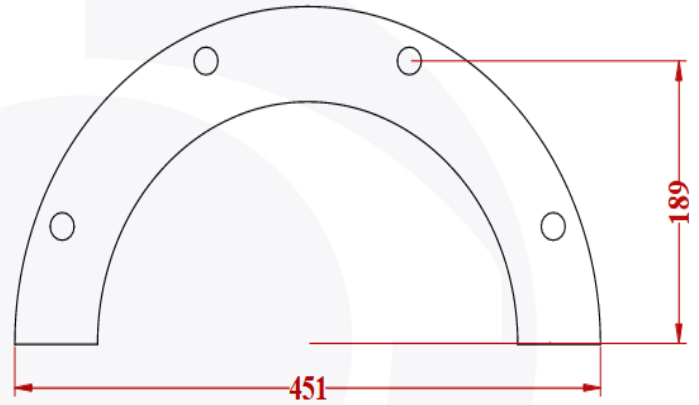


Grade	Abrasive Resistance Cast Iron / All Grades Available
Usage	Crusher, Cement, Asphalt and Ceramic Industries



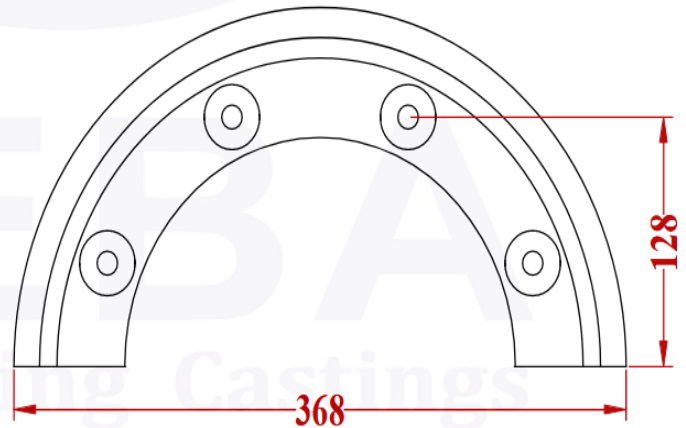
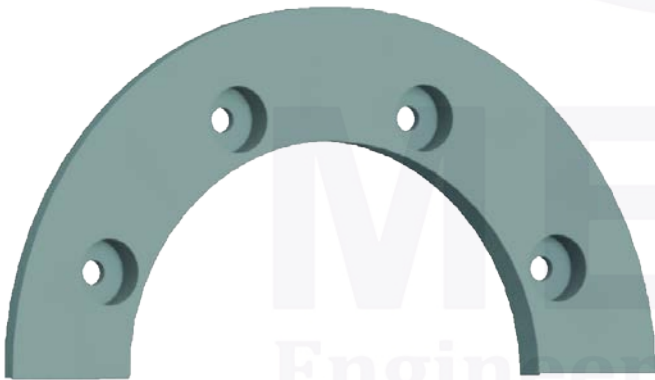
WEAR RING 970330905

MEBA CODE : 73254



DUST LID 970330805

MEBA CODE : 73253

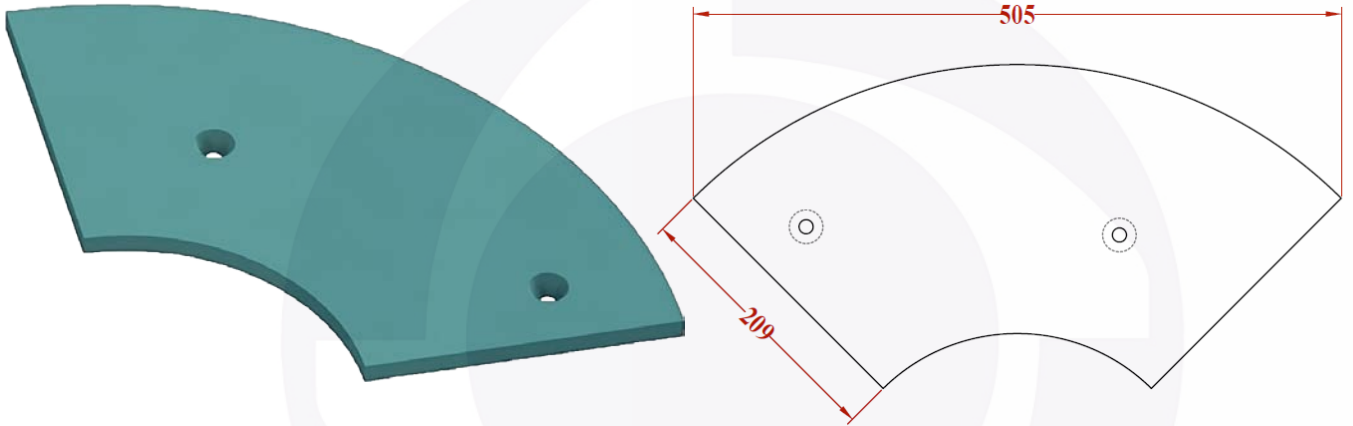


Grade	Abrasive Resistance Cast Iron / All Grades Available
Usage	Crusher, Cement, Asphalt and Ceramic Industries



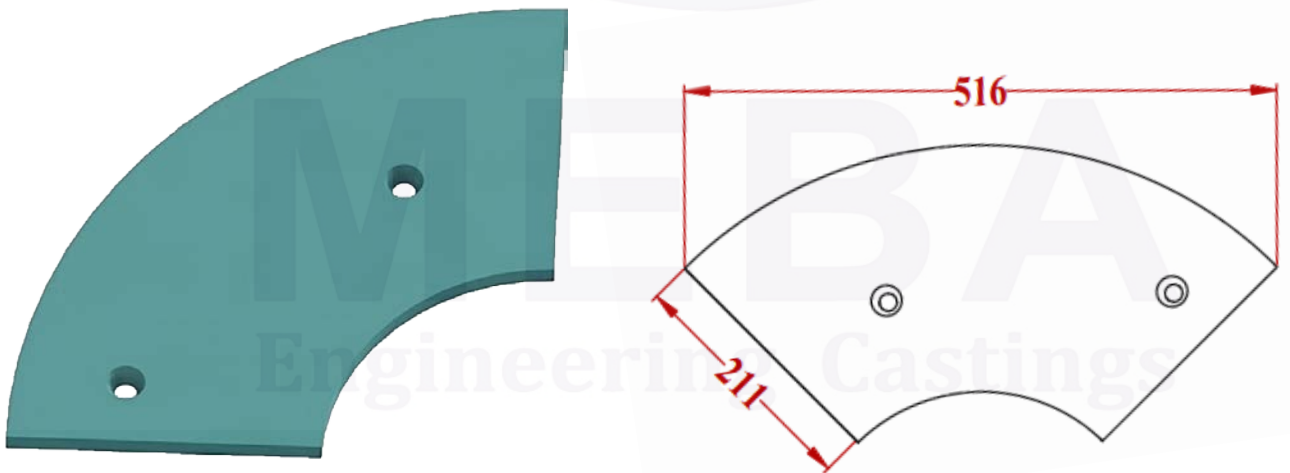
WEAR PLATE R

MEBA CODE : 75056



WEAR PLATE L

MEBA CODE : 75055

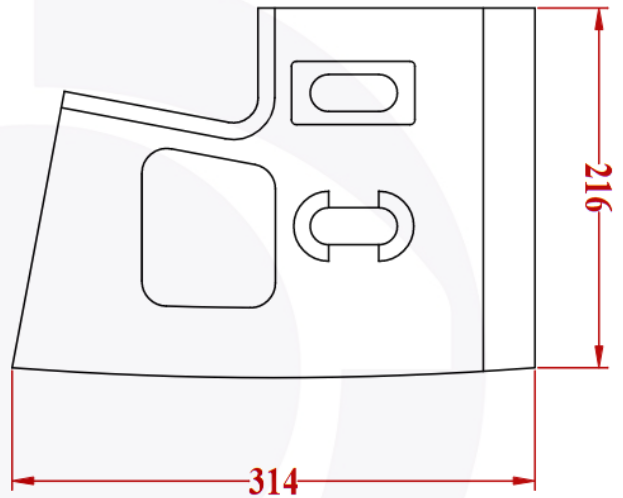
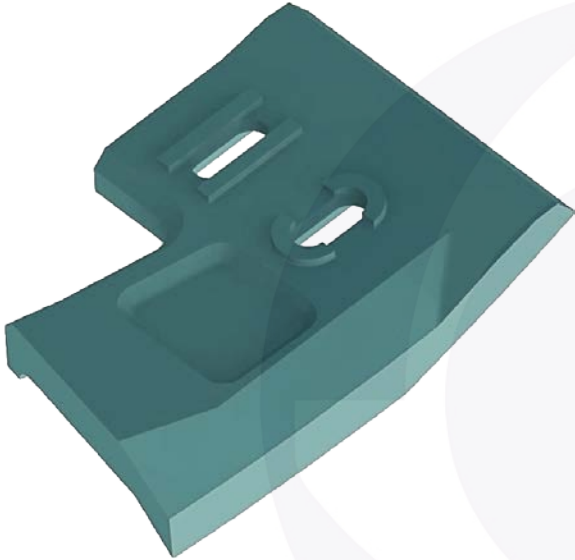


Grade	Abrasive Resistance Cast Iron / All Grades Available
Usage	Crusher, Cement, Asphalt and Ceramic Industries



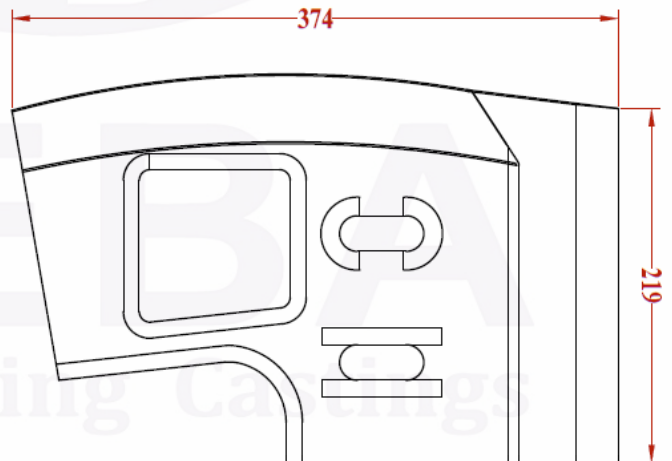
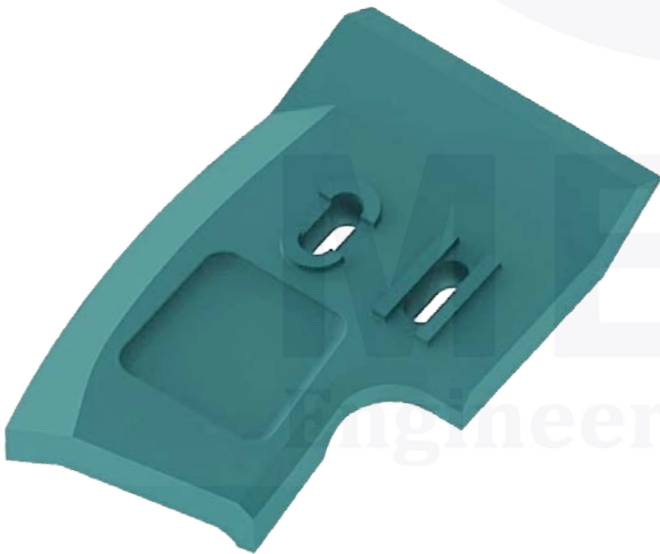
LATERAL SHOWEL LEFT

MEBA CODE : 73470



LATERAL SHOWEL RIGHT

MEBA CODE : 73472

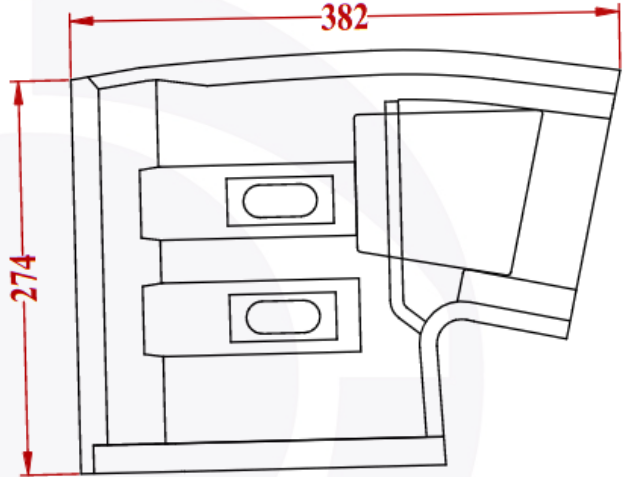
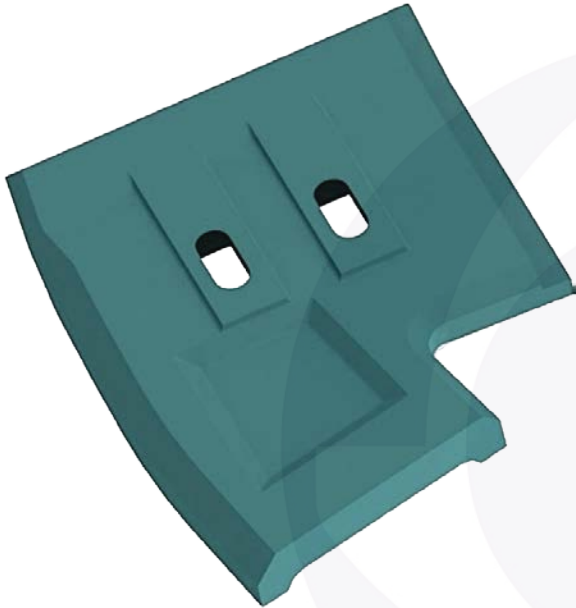


Grade	Abrasive Resistance Cast Iron / All Grades Available
Usage	Crusher, Cement, Asphalt and Ceramic Industries



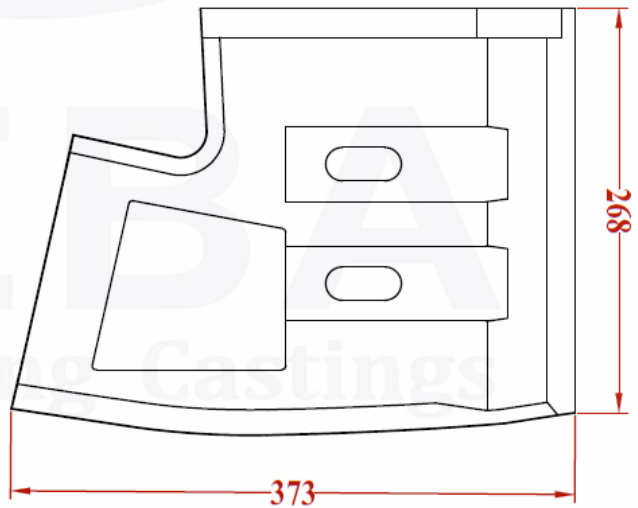
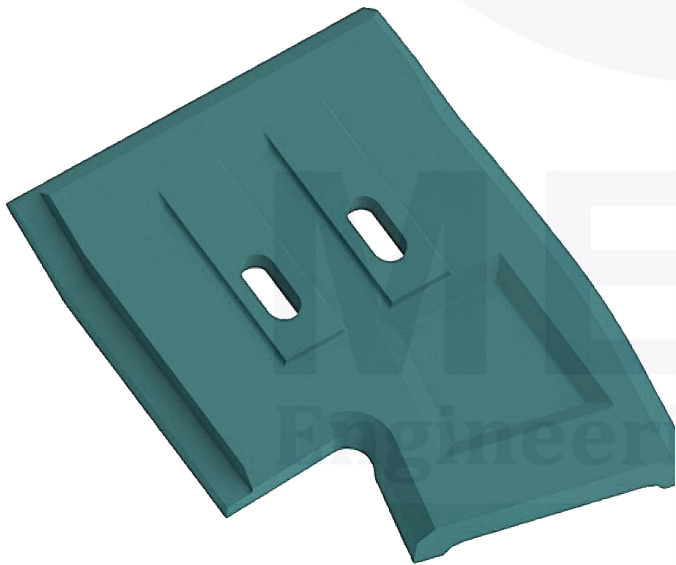
MIXER BLADE SIDE L

MEBA CODE : 75651



MIXER BLADE SIDE R

MEBA CODE : 75652

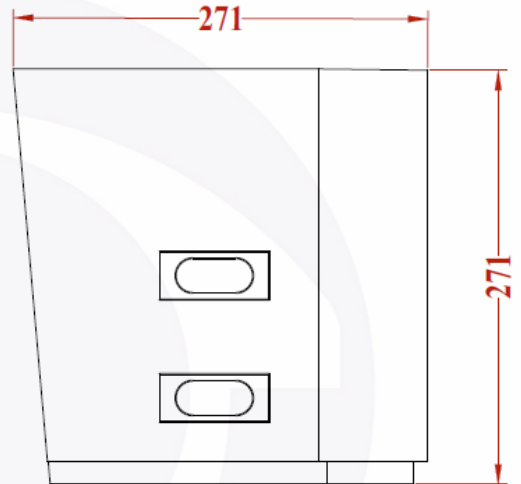
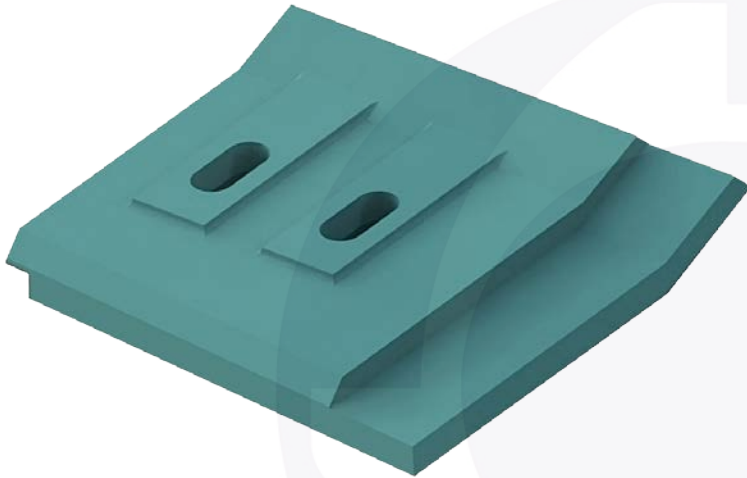


Grade	Abrasive Resistance Cast Iron / All Grades Available
Usage	Crusher, Cement, Asphalt and Ceramic Industries



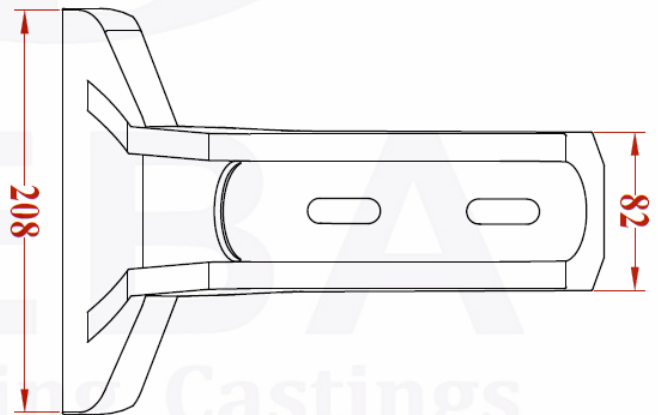
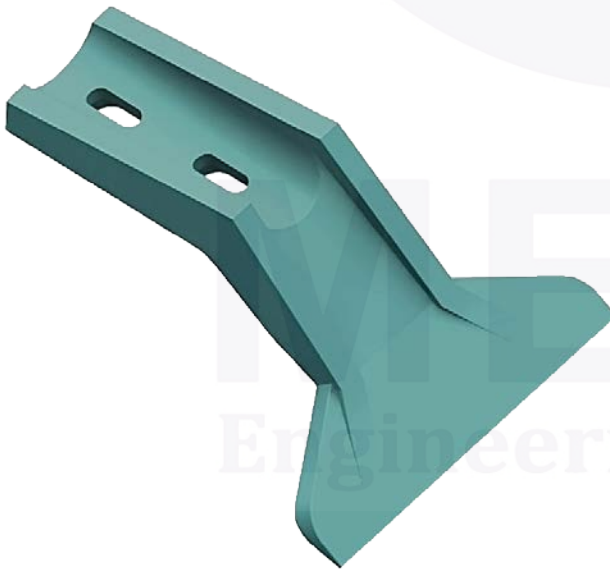
CENTER BLADE

MEBA CODE : 75654



MIXER PLATE FG02N (ADJUSTABLE BOLT)

MEBA CODE : 74716

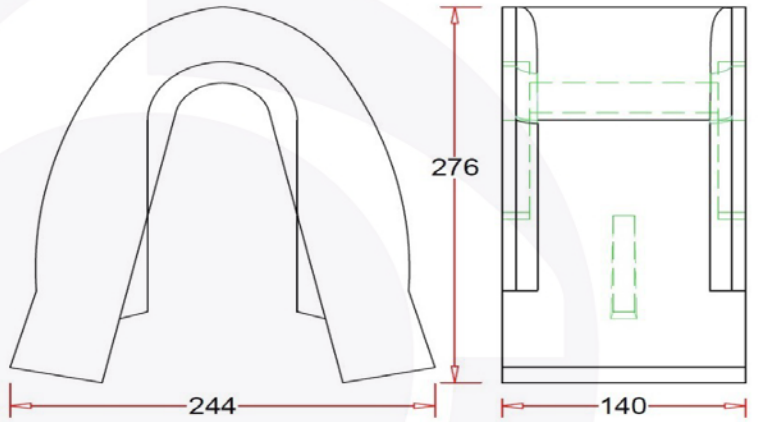
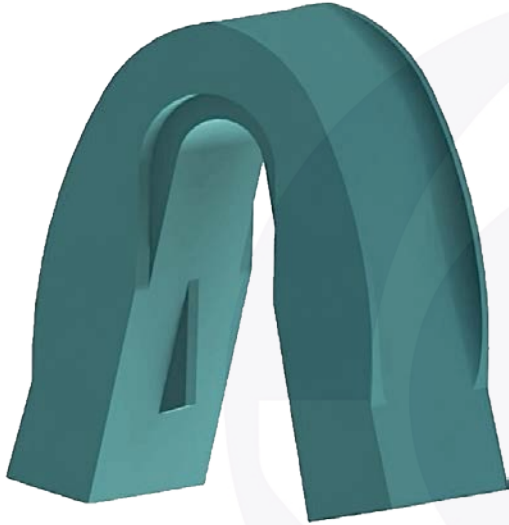


Grade	Abrasive Resistance Cast Iron / All Grades Available
Usage	Crusher, Cement, Asphalt and Ceramic Industries



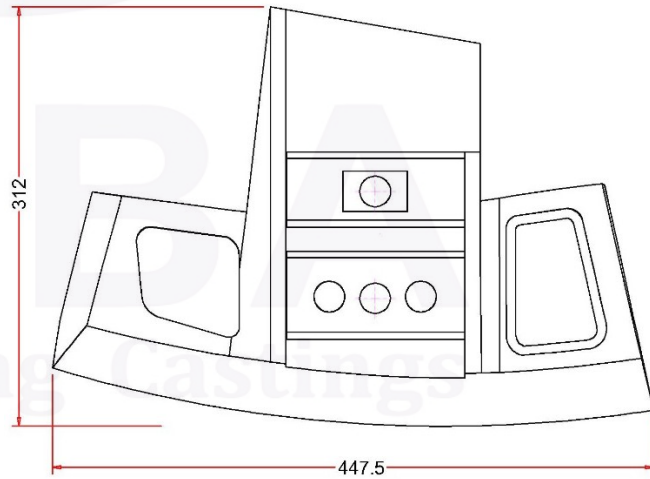
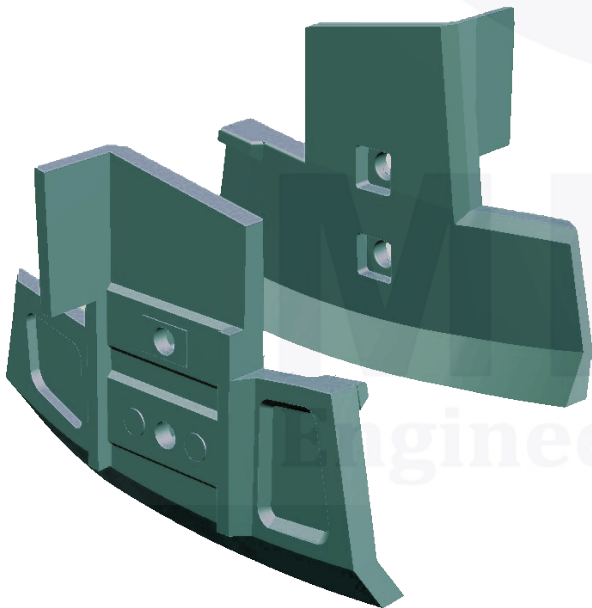
IMPACT HAMMER 02

MEBA CODE : 73038



CENTRAL SHOWEL (60205068)

MEBA CODE : 73469

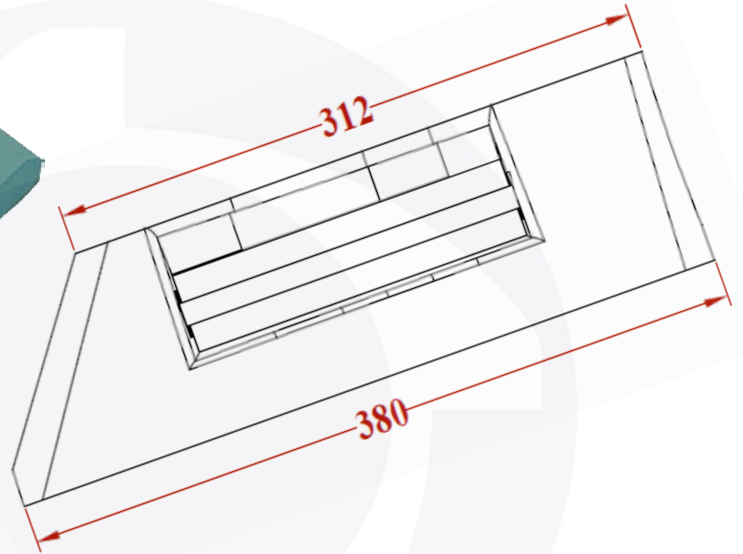
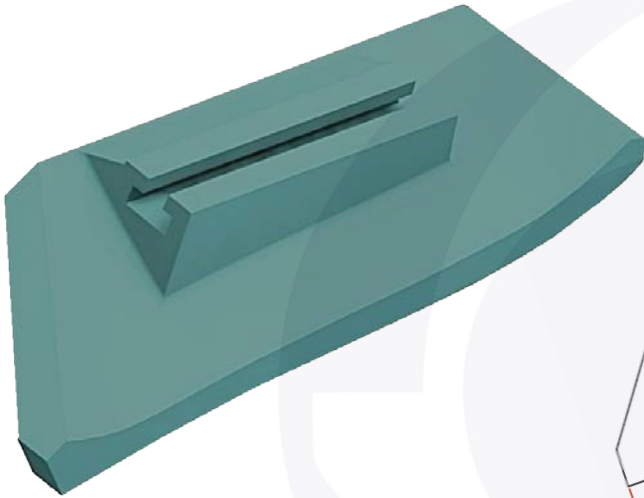


Grade	Abrasive Resistance Cast Iron / All Grades Available
Usage	Crusher, Cement, Asphalt and Ceramic Industries



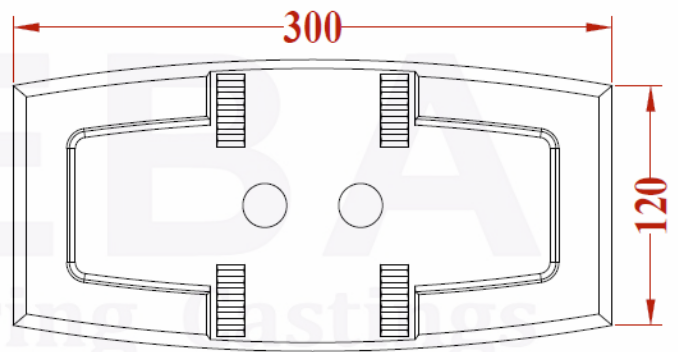
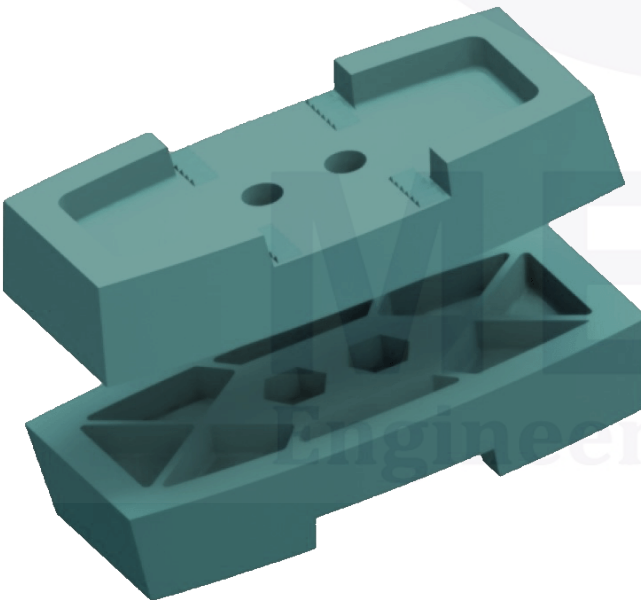
SCRAPPER PLATE (178-700)

MEBA CODE : 74616



PADDLE TIP B374-69

MEBA CODE : 75811



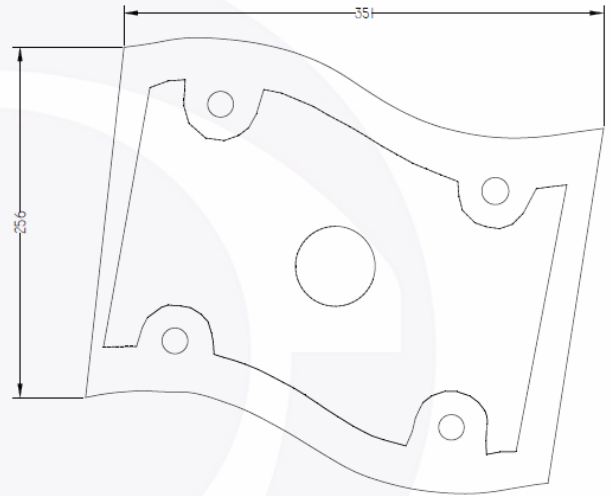
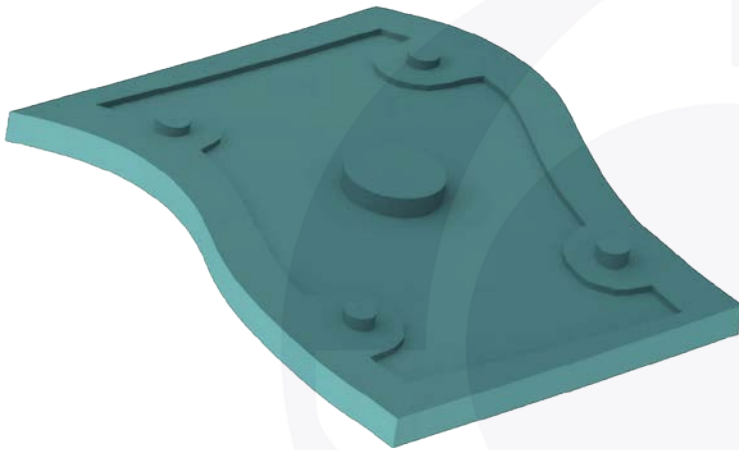
Grade	Abrasive Resistance Cast Iron / All Grades Available
Usage	Crusher, Cement, Asphalt and Ceramic Industries



www.meba.bh
sales@meba.bh

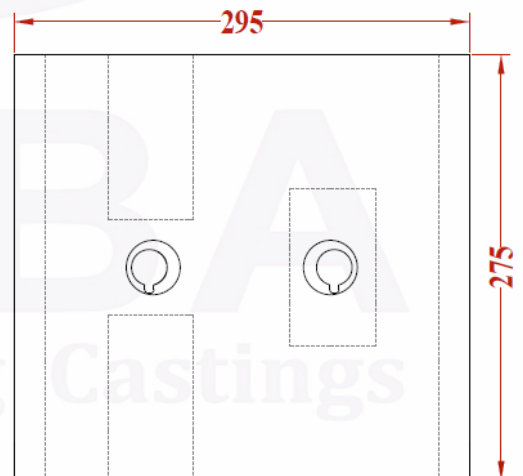
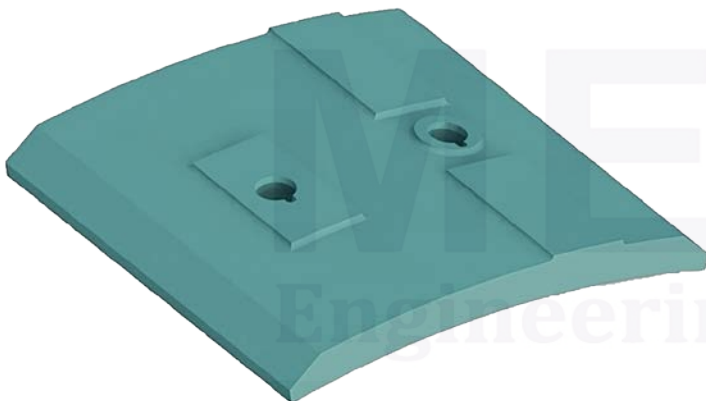
WALL TILE INSIDE (9703355105)

MEBA CODE : 75494



LINER PLATE (290WX275LX24MM) THK

MEBA CODE : 74459



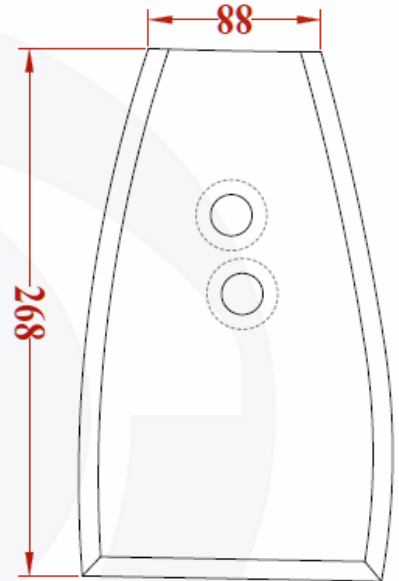
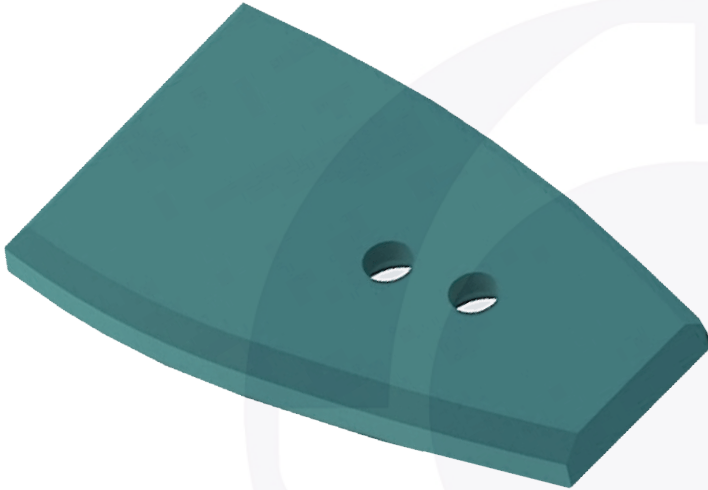
Grade	Abrasive Resistance Cast Iron / All Grades Available
Usage	Crusher, Cement, Asphalt and Ceramic Industries



www.meba.bh
sales@meba.bh

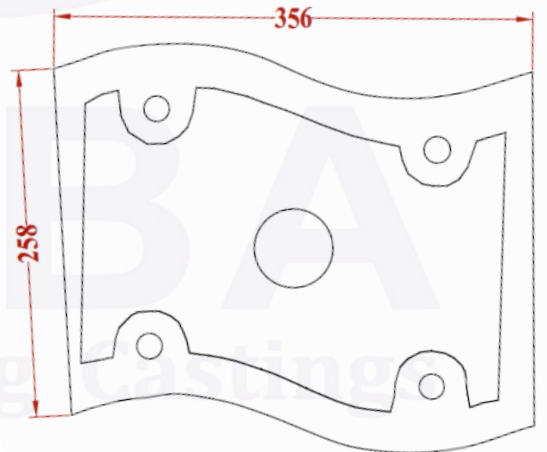
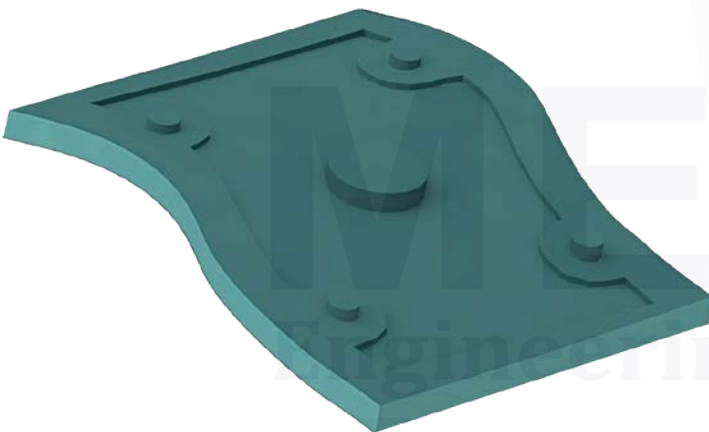
LINER PLATE (267WX155LX30MM) THK

MEBA CODE : 74460



WALL TILE INSIDE (970335505)

MEBA CODE : 74538

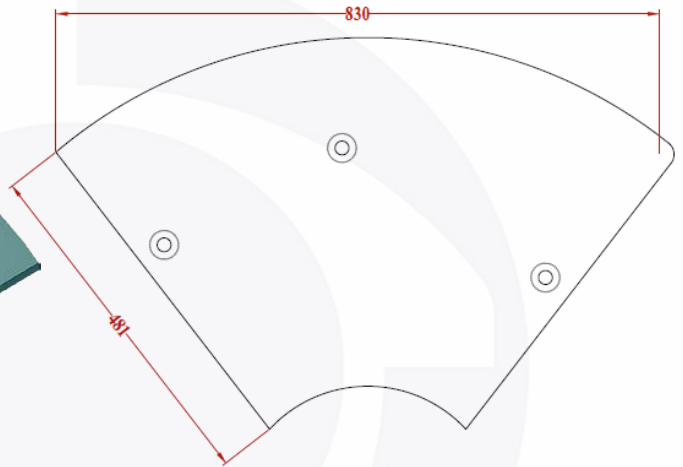
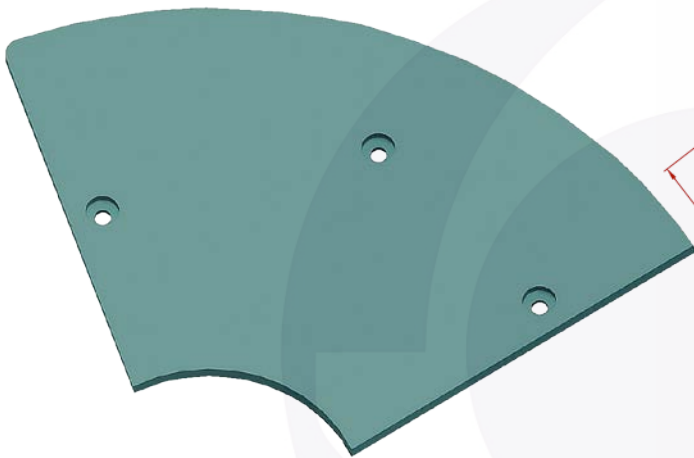


Grade	Abrasive Resistance Cast Iron / All Grades Available
Usage	Crusher, Cement, Asphalt and Ceramic Industries



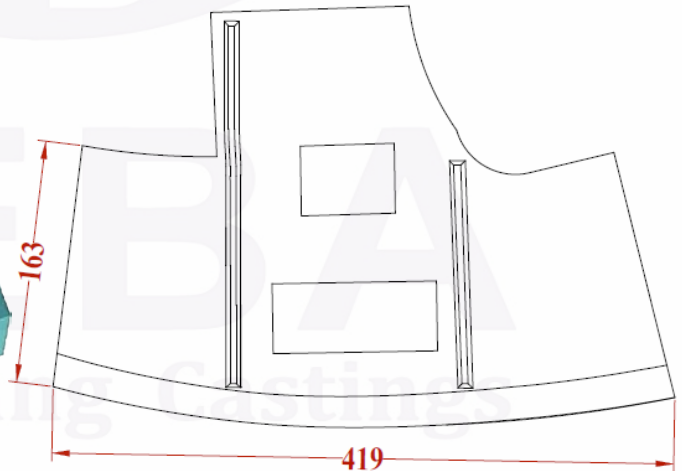
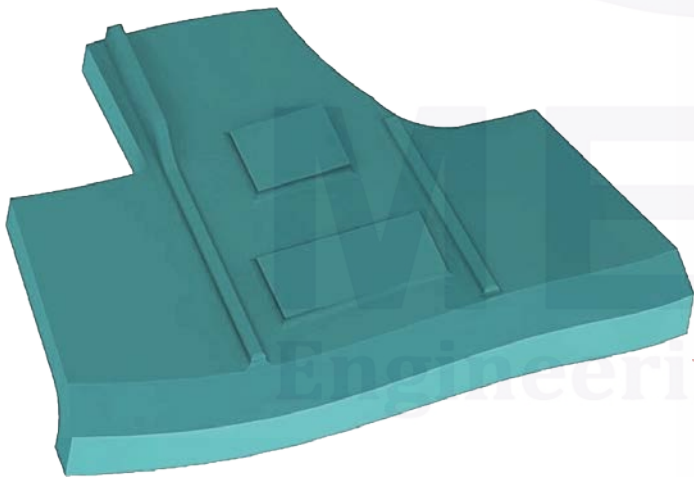
FACE WALL TILE (933062005)

MEBA CODE : 74515



CENTER MIXING PADDLE 970334705

MEBA CODE : 74537



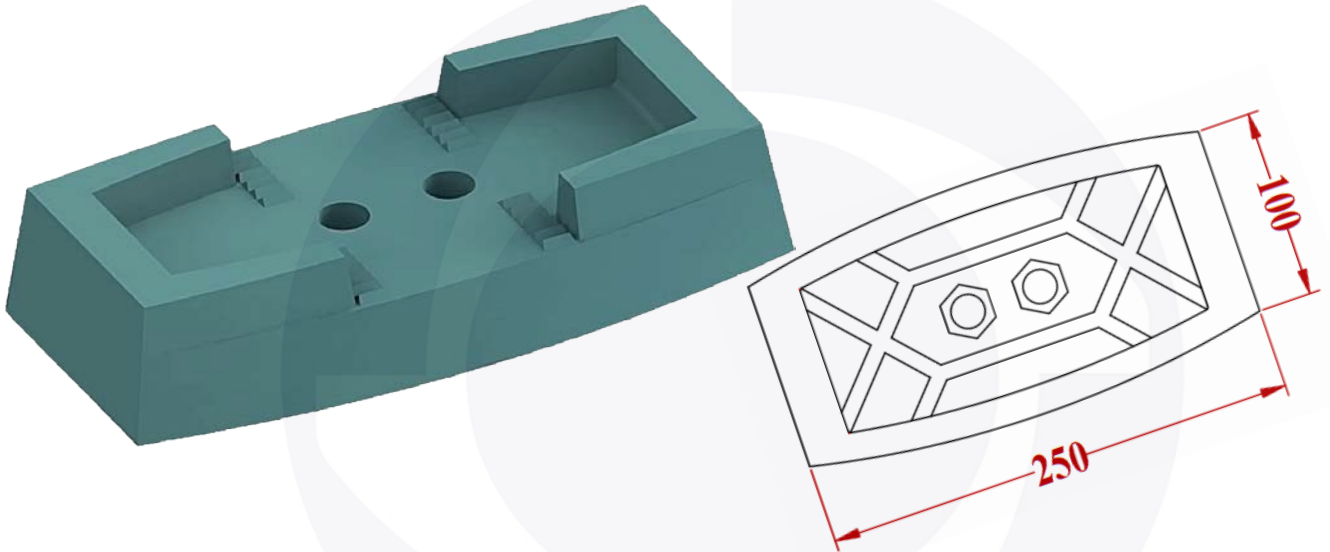
Grade	Abrasive Resistance Cast Iron / All Grades Available
Usage	Crusher, Cement, Asphalt and Ceramic Industries



www.meba.bh
sales@meba.bh

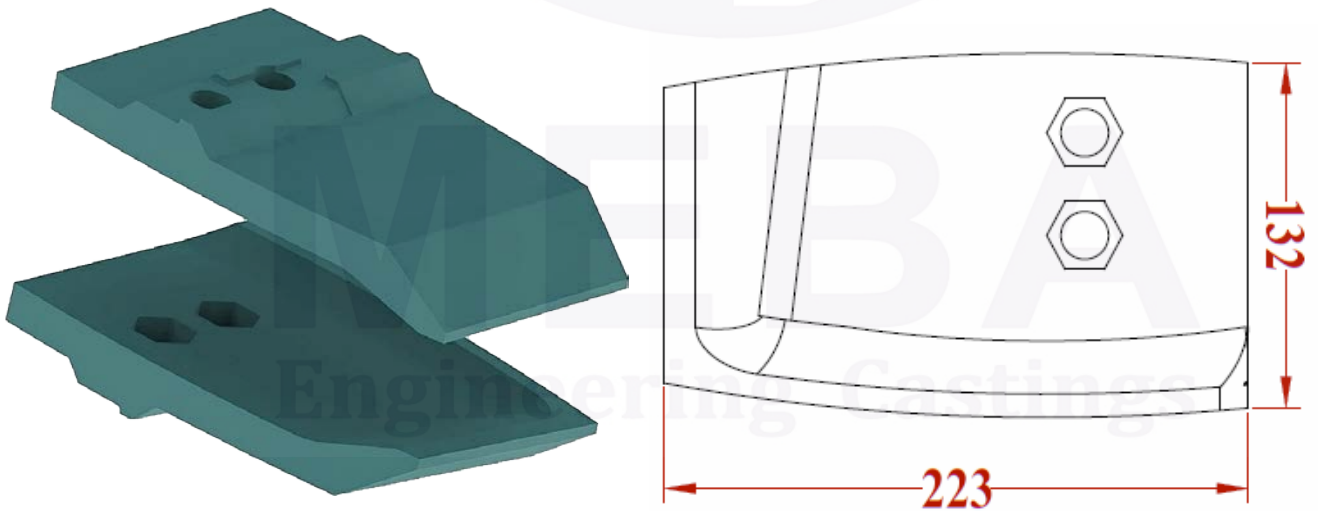
PADDLE TIP 100913- B374-37

MEBA CODE : 74730



LINER FOR MIXER ARM 222MM X 140MM

MEBA CODE : 75106

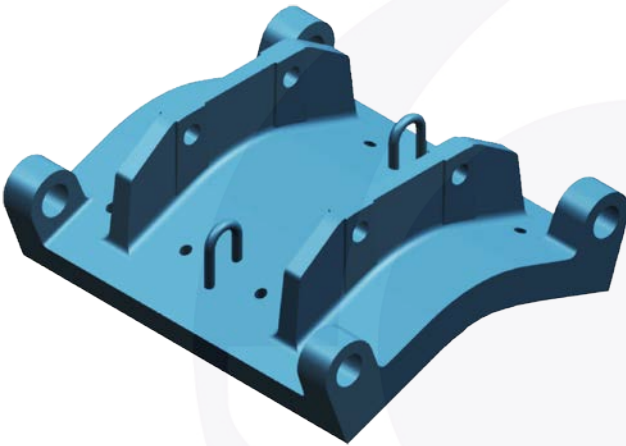


Grade	Abrasive Resistance Cast Iron / All Grades Available
Usage	Crusher, Cement, Asphalt and Ceramic Industries



www.meba.bh
sales@meba.bh

Casting Services to :



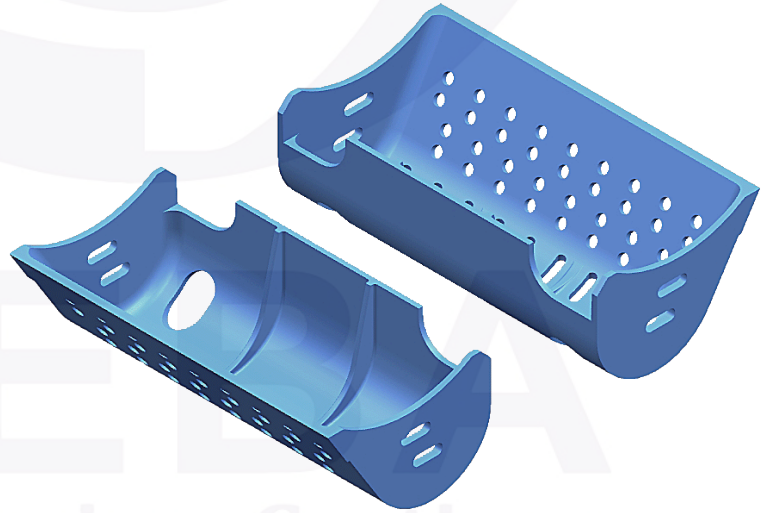
Crusher Industries



Pump Industries



Cement Industries



Aluminum Smelters

For any Enquiries, please contact : sales@meba.bh WhatsApp : +973-36077844